

# RCB1200 User Manual



The RCB1200 user manual has been prepared by the ENEDO design team to assist qualified engineers in correctly implementing the products and to achieve the best reliability and performance.

At time of print, the information contained in this document is believed to be correct and accurate. However, specifications are subject to change without prior notice and ENEDO will not be liable for any damage caused as a result of the information within this document.

For continued product improvement, please report any errors contained in the document to ENEDO SpA.

## RCB1200 SERIES OVERVIEW

The RCB1200 is a modular configurable switching mode power supply offering an extreme flexibility, high efficiency, sophisticated control functions and an industry leading power density exceeding 20 W/in<sup>3</sup>. In fact, the RCB1200 is capable of a total 1200 W of continuous output power in a (6.05 x 6.09 x 1.61) in package.

This power supply is an effective power solutions for all system designers as they address the pressing demands for more power within less space, higher efficiency, sophisticated control features and wider flexibility.

The basic system consists of two independent input sections each of them providing 600 W of continuous power to their respective output sections. Each output section consist of four slots where can be plugged a 150 W fully isolated output module. Each section offers, as a standard, a +5 V, 200 mA isolated bias supply, an AC mains signal (AC\_OK), an individual and a global inhibit signal (INH or GINH) through which each single or all output modules simultaneously can be enabled or disabled.

Output modules are currently available in single output voltage types with models voltage ranges covering from 1.5 V to 58 V and currents up to 25 A. All outputs can be connected in parallel or in a series resulting in a voltage range of up to 232 V and a maximum current of up to 100 A, from a single section of the power supply.

All modules are supplied with advanced voltage and current control functions, sense signals and a regulated +5 V bias supply capable of 20 mA, as a standard.

The RCB1200 cooling is provided by two built in fans, which speed is independently and automatically controlled by the corresponding input section of the power unit. This system ensures the unit proper cooling in any operating condition maintaining at minimum fan's RPM and, in turn, acoustic noise.

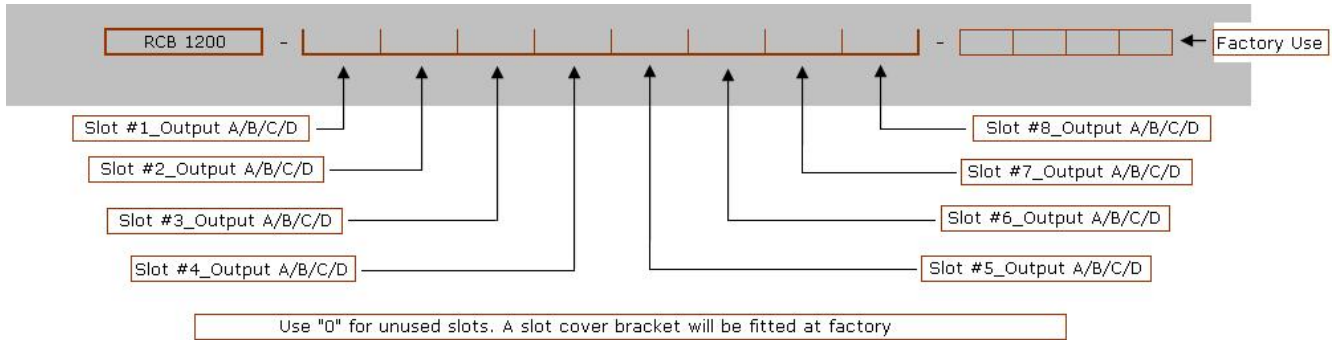
The RCB1200 carries IEC/EN/UL 60950-1 and 62368-1 safety approvals and comply with EN61000-3, EN61000-4 and EN55032 class B EMC standards, making it suitable for all types of industrial and telecoms applications.

## CONTENTS

RCB1200 OVERVIEW	1
CONFIGURATIONS AND ORDERING INFORMATION	3
INSTALLATION NOTES	4
THEORY OF OPERATION	5
INPUT MODULE OPERATION	6
SIGNALS	9
OUTPUT MODULE OPERATION	11
ADVANCED OUTPUT MODULE FEATURES	14
OUTPUT MODULES IN SERIES	16
OUTPUT IN PARALLEL CONFIGURATION	17
MECHANICAL – DIMENSIONS AND MOUNTING	21
MECHANICAL – CONNECTORS AND PINS ASSIGNMENT	22
CONFIGURING YOUR POWER SUPPLY	23
SAFETY	28
EMC COMPLIANCE	29
RELIABILITY	30

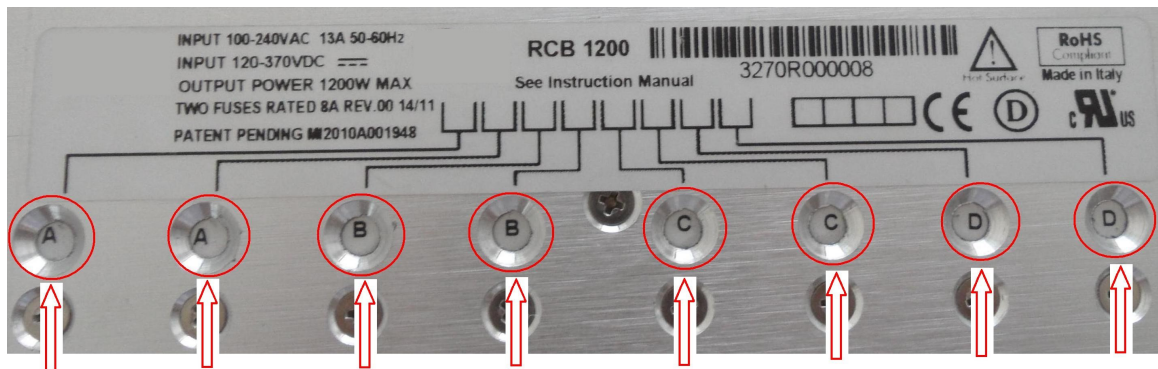
## CONFIGURATIONS AND ORDERING INFORMATION

The RCB1200 part numbering system is easily comprehensible following the scheme here below.



The factory might issue a 4 digit code for a specific configuration which can be used for next and future orders of the same configuration. When ordering an input unit with no outputs inserted, simply order RCB 1200.

A power unit part number can also be easily accessed through the descriptive label placed on its top surface (see picture below). Simply add to the unit part number the letters visible through the lid holes following the order indicated by the lines. Each letter identifies the selected output module fitted in the correspondent slot.



The following table contains all the characteristic parameters of each Output Module, OP-x, and is a useful guide in identifying the optimal configuration for every application.

Output Module	Nominal Voltage	Rated current	Voltage Adjustment	Load Regulation	Line Regulation	OVP	Output Power
A	5 V	25.0 A	1.5 to 7.5 V	±50 mV	±0.1 %V <sub>NOM</sub>	9.5 V	125 W
B	12 V	15 A	4.5 to 15 V	±100 mV	±0.1 %V <sub>NOM</sub>	18 V	150 W
C	24 V	7.5 A	9 to 30 V	±150 mV	±0.1 %V <sub>NOM</sub>	36 V	150 W
D	48 V	3.75 A	18 to 58 V	±300 mV	±0.1 %V <sub>NOM</sub>	66 V	150 W
0 (zero)	Unused slots						

**Example:** for an RCB1200 with 4.5 V at 50 A (2x OP-A in parallel, slots #1,2); 12 V at 25 A (2X OP-B in parallel, slots#3,4); 24 V at 12.5 A (2x OP-C in parallel, slots# 5,6); 100 V at 3 A (2x OP-D in series, slots# 7,8); use "RCB1200-AABBCCDD".

## INSTALLATION NOTES

This power supply is intended for use within equipment or enclosures which restricts access to authorised personnel only. The instructions in this manual and all warning labels on the product must be followed carefully.

### Safety

All power supplies must be installed correctly in a controlled environment which restricts access to any unauthorised personnel. Equipment and system manufacturers must protect service personnel against unintentional contact with the output terminals.

### Hazards

If series and/or parallel combinations of outputs exceed safe voltage and/or energy levels, the final equipment manufacturer must provide appropriate protection for both users and service personnel.

### Health and safety

To comply with section 6 of the health and safety at work act, a label that is clearly visible to service personnel must be placed on the final equipment, which warns that surfaces of the power supply may be hot and should not be touched when the product is operating.

### Fusing

The power supply has two internal single pole fusing, one on each of the input section L (Line).

### Servicing

The power supply contains no user serviceable parts. Repairs must be carried out by authorized personnel only. Contact ENEDO SpA for further information.

### Cooling

For proper cooling of the power supply, the air intake and outlet must not be impeded. Allow 50 mm clearance at both ends and position cabling appropriately. Avoid excessive back pressure in the general system or when using ducting to navigate hot air out of the system.

### Earth terminal marking

To comply with the requirements of UL/EN/IEC 60950-1, CSA22.2 no. 60950-1, UL/EN/IEC 62368-1 where the incoming wiring earth is intended for connection as the main protective earthing conductor and where the terminals for such a connection is not supplied on a component or subassembly such as a terminal block, the user shall add an appropriate label displaying a protective earth symbol in accordance with 60417-2-IEC-5019 directly adjacent to the terminal. The label should be durable and legible and should withstand the 15s rub test as per UL60950-1 section 1.7.15.

### Mounting

Mounting the unit can be done using the bottom or side mounting points. Each mounting point accepts an M4 screw where the maximum penetration, inclusive of 1.75 mm chassis thickness, should never exceed 4.00 mm. The maximum torque for the M4 screws is 1.50 Nm.

### Other

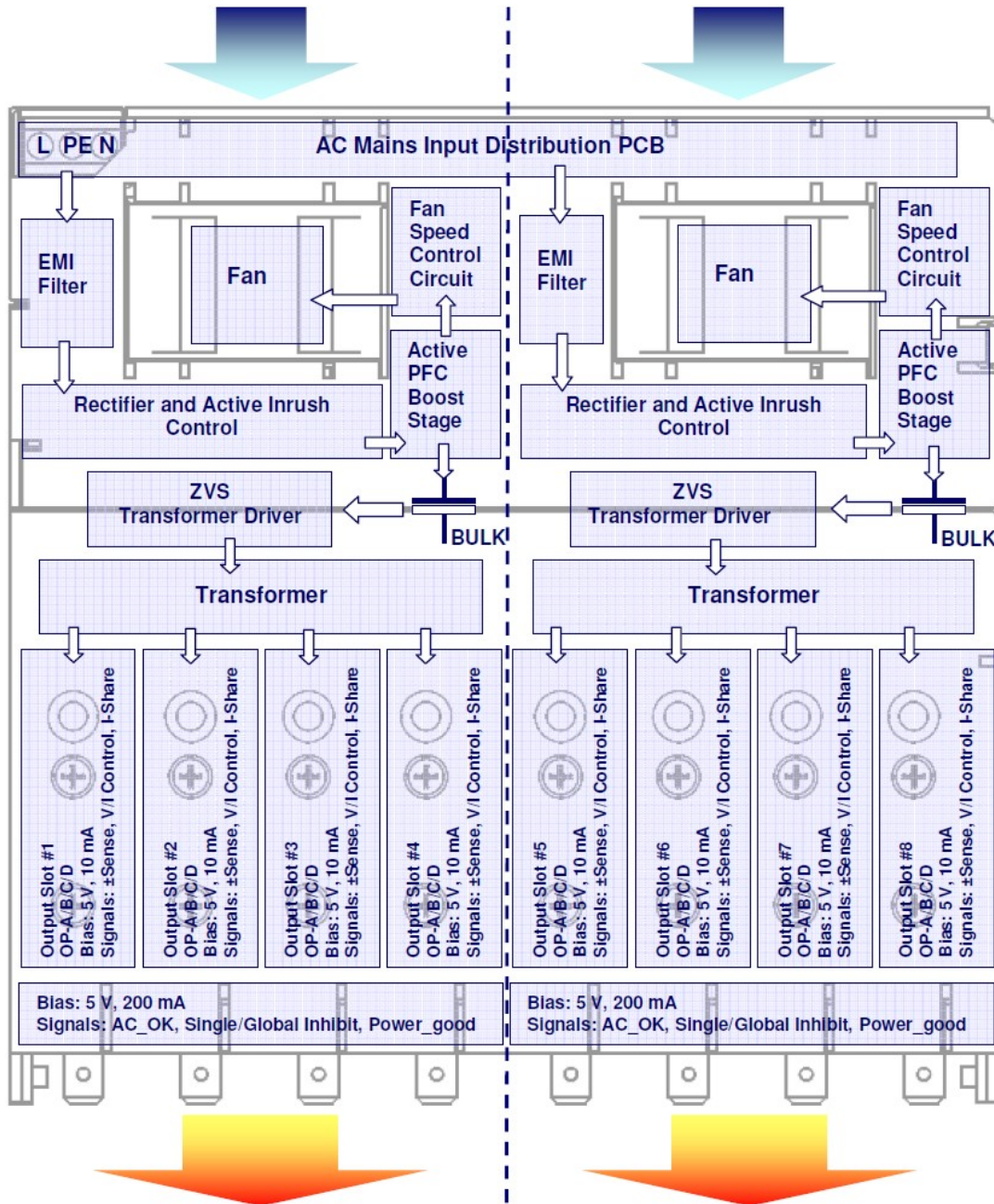
- To prolong the life of the unit, use in dust free environment.
- If units are damaged during transit, contact your sales agent or ENEDO and DO NOT apply power to the unit.
- Always use adequately sized cables and ensure good crimp connections.
- Use cable supports to minimise stress on connectors.
- Avoid excessive shock or vibration.

### General installation parameters

- Equipment class I
- Installation category II
- Pollution degree 2
- Material group IIIb (Indoor use only)
- Flammability rating 94V-2
- IP rating IP10
- Altitude of operation 4600 m
- RoHS compliance 2015/863/EU

## THEORY OF OPERATION

The diagram below outlines the topology and major internal components of a fully assembled system. The system consists of two independent sections, each of them provides four output slots which can be populated by any combination of *output modules* (OP-A, OP-B, OP-C, OP-D). The remaining components in the block diagram are housed in the *input stage* of each section.



Both the *input stages* are responsible for receiving the AC mains line voltage and converting it to an appropriate DC voltage whilst providing protection from AC line disturbances and preventing excessive EMI emissions and current harmonics. The integrated EMI filters attenuate high frequency current emissions to levels below EN55032 class B. They also provide single pole fusing in the live conductor (L) and protection from line disturbances as outlined in EN61000.

The power unit inrush current is controlled by a resistive element present on each input section upon initial connection to the AC line. Once the internal capacitances have been charged, the resistive elements are bypassed to reduce losses.

Both the input stages are provided with an Active Power Factor Correction (PFC) to ensure an accurate power unit input current waveform with extremely low harmonic content, exceeding the requirements of EN61000-3-2. These stages also provide active input current limiting which prevents overloading of each input stage while maintaining high power factor.

The output of the two PFC stages charge their respective hold-up electrolytic capacitors which store enough energy to allow the system to continue operating during minor line disturbances. These are the only electrolytic capacitors in the entire power supply and to further increase system reliability, long life and high temperature capacitors are used.

Highly efficient zero voltage switching circuits (ZVS) are used to drive the medically isolated transformers from the hold-up capacitors. The output modules of each section connect to their respective transformer secondary and provide safe isolated power to a high performance synchronous rectifier power converter which is controlled using the latest analog control technology to produce superior output performance in an extremely reduced size.

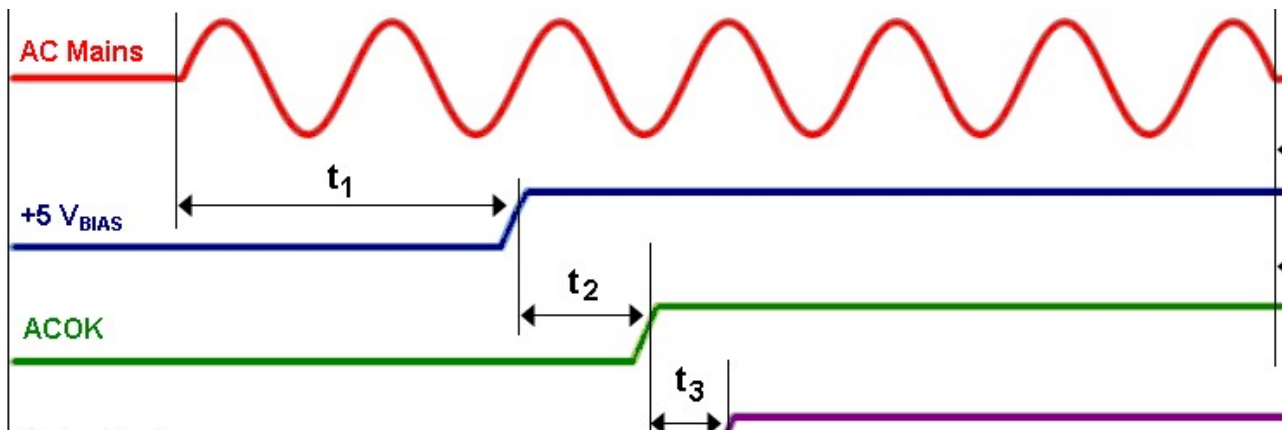
Two built in fans, which speed is automatically controlled, ensure the unit proper cooling in any operating condition maintaining at minimum its RPM and, in turn, acoustic noise. The control function directly correlates each fan supply voltage to the control voltage derived from the respective half bridge current sense resistor. The secondary control input is derived from non-linear temperature sensors located near the rectifiers on each input section.

## INPUT MODULE OPERATION

### Start-up and shut-down

The following description refers to each of the RCB1200 power supply primary section and its relative output modules, unless it is explicitly stated otherwise.

Each input module operates from a universal input voltage range and start automatically upon application of adequate AC mains voltage (>84 V<sub>RMS</sub>). After a short delay, the global “+5V bias” supply starts and the “ACOK” signal goes high to indicate that the mains voltage is present and input stage is operating correctly. Once the “ACOK” signal is high, the output modules turn on and deliver power to the application loads. The “Power Good” signals will indicate that the output voltages are within specification. The diagram below shows the normal start-up / shut-down sequence and gives typical timings.



Typical timing values:  $t_1 = 300$  ms,  $t_2 = 50$  ms,  $t_3 = 25$  ms,  $t_4 = 15$  ms,  $t_5 = 5$  ms (minimum),  $t_6 = 100$  ms

When the AC mains voltage is removed, the internal hold-up capacitors will supply power to the load for typically 20 ms ( $t_4+t_5$ ) at maximum power. The “ACOK” signal will go low at least 5 ms before the output voltages fall below the power good threshold level ( $t_5$ ). This allows the application to prepare for the impending loss of power. The “+5V bias” supply will remain on for typically 100 ms, after the output modules have turned off.

**Hold-up**

For short line disturbances (<20 ms), the output voltages will not be affected\*. However, the “ACOK” signal may still go low to warn that there is an impending loss of output power. The “ACOK” signal will return to the high state once the unit has recovered from the disturbance.

\*Outputs that are adjusted above the hold-up voltage as detailed in their respective datasheets, may experience a dip in voltage but never below the hold-up voltage specified.

**Idle power**

The idle power of the RCB1200 PSU is determined by both the input stages of each section and the input stage of each assembled output modules. In the worst case where all modules are connected and enabled, the unit typically requires 56 W with no output load.

To reduce the idle power, the output modules can be disabled using the global inhibit (GINH) pin in each connector of their correspondent section. With all the outputs disabled, the unit typically requires less than 42 W.

**Over temperature protection (OTP)**

Each of the RCB1200 input stages is protected from excessive temperature by means of various internal sensors. In case the temperature limit is exceeded in one section or both, the same section or both may latch off, with no “ACOK” warning. To re-enable the whole unit operations, the AC mains must be disconnected for approximately 2 minutes.

**Power De-rating**

The RCB1200 power supply must always be operated within its stated operating limits. Equipment manufacturers and other users must take appropriate de-ratings into account at all times when specifying a unit for the intended application. If in doubt, contact your sales representative or ENEDO for assistance.

There are two main de-ratings for the RCB1200 power supplies, environment temperature and input line voltage. Temperature de-ratings apply to both input and output stages, while line de-ratings apply only to the input stages.

For temperature, the de-rating for both input and output stages is 2.5% (of maximum rated power) per degree Celsius above 50 °C. While, for input line voltage, the de-rating for the input stages only is 0.83% (of maximum rated power) per Volt below 120 V<sub>RMS</sub>. These de-ratings can be calculated using the following conditional equations;

Equation for line de-rating:

If  $V_{in} < 120 V_{RMS}$ ,

$$P_{out} = P_{rated} * \text{Line de-rating factor}$$

$$= P_{rated} * (1 - (0.0083 * (120 - V_{in}))$$

Otherwise,

$$P_{out} = P_{rated}$$



Equation for temperature de-rating:

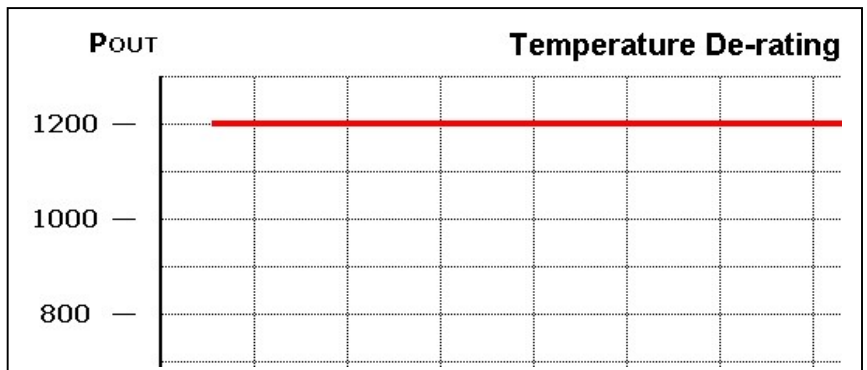
If temp > 50 °C,

$$P_{out} = P_{rated} * \text{Temp de-rating factor}$$

$$= P_{rated} * (1 - (Temp - 50) * 0.025)$$

Otherwise,

$$P_{out} = P_{rated}$$



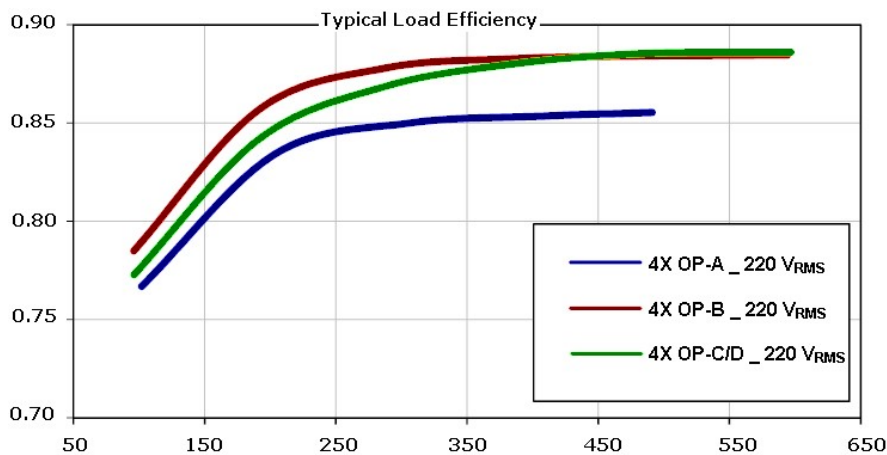
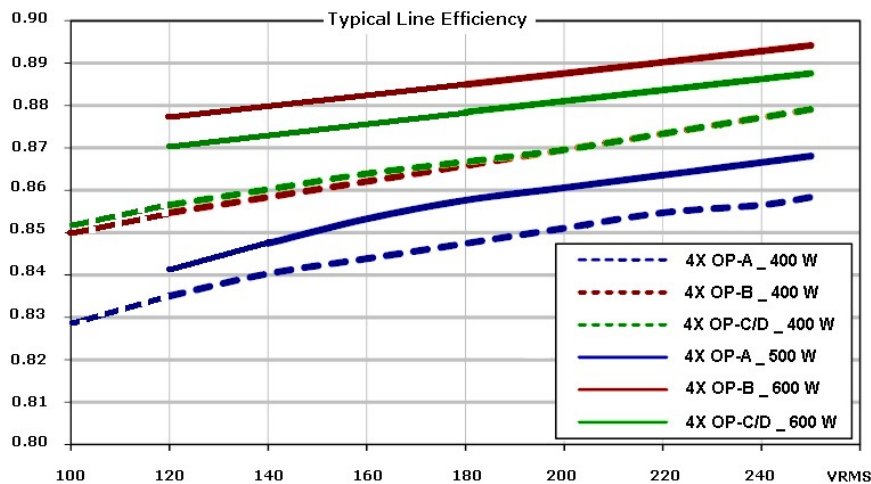
Depending on the application conditions, one or both of the de-ratings may apply. Where both apply, the de-rating factors given above can be multiplied together to obtain the total derating factor.

**Example:** what are the RCB1200 input and output module de-ratings at 60 °C at 100 V<sub>RMS</sub> line?

Input power rating	=	$P_{rated} * \text{Line de-rating factor} * \text{Temp de-rating factor}$		
Output power rating	=	$P_{rated} * \text{Temp de-rating factor}$		
Line derating factor	=	$(1-(0.0083*(120-V_{in}))) = (1-(0.0083*(120-100)))$	=	0.83
Temperature de-rating factor	=	$(1-(\text{Temp}-50)*0.025) = (1-(60-50)*0.025)$	=	0.75
Input power rating	=	$1200*0.83*0.75 = 747 \text{ W}$	=	373.5 W available in each section.
Output B/C/D power rating	=	$150*0.75 = 112.5 \text{ W}$		
Output A power rating	=	$125*0.75 = 93.75 \text{ W}$		

**Efficiency**

The efficiency of the whole RCB1200 power supply is determined by the efficiency of each of its sections which, in turn, is dependent on several parameters such as input voltage, load level and on the combination of output modules. The plots below show typical efficiencies of one section of the power unit over the full line voltage and load range and fitted with four of each type of output module, equally loaded.





An estimate of the efficiency for any particular system may be obtained from these graphs using the procedure outlined in the example below.

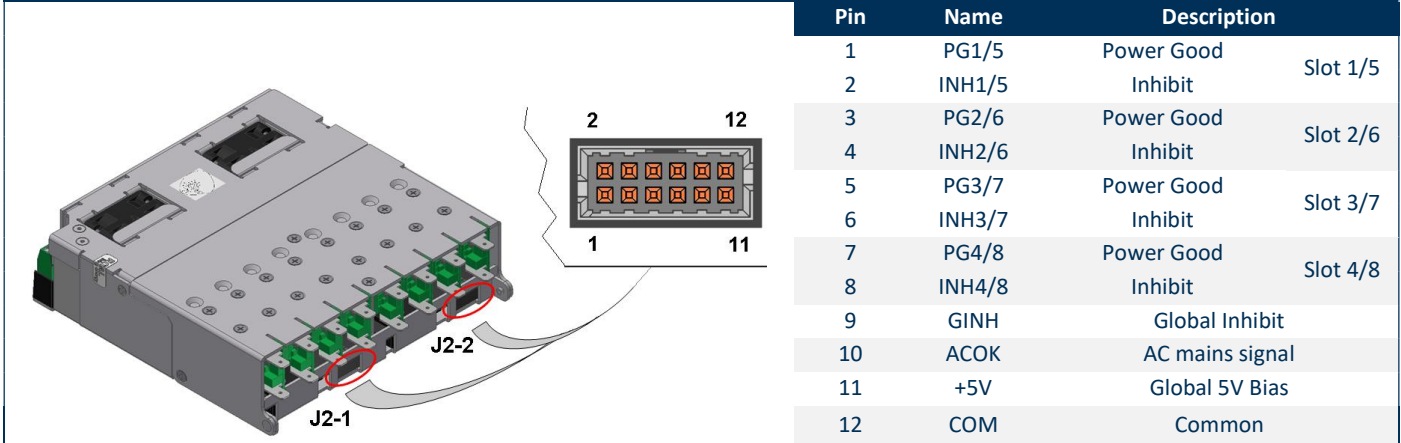
**Example:** Estimate the efficiency of an RCB1200-AABCDDDD, at 160 V<sub>RMS</sub> input, 100 W load on each output of the first section and 140 W on each output of the second section.

1. Define load efficiencies for each output module at specified load and 220 V<sub>RMS</sub>.
2. Define change in efficiency from 220 V<sub>RMS</sub> to 160 V<sub>RMS</sub> for each output module.
3. Sum the values from step one and two for each output module.
4. Calculate the average efficiency for the total system.

Step	Details	Slot 1 OP-A	Slot 2 OP-A	Slot 3 OP-B	Slot 4 OP-C	Slot 5 OP-D	Slot 6 OP-D	Slot 7 OP-D	Slot 8 OP-D
1	$\epsilon_{220}$ (Load chart)	0.85	0.85	0.88	0.88	0.89	0.89	0.89	0.89
2	$\Delta\epsilon_{(220-160)}$ (Line chart)	-0.01	-0.01	-0.01	-0.01	-0.01	-0.01	-0.01	-0.01
3	$\epsilon_x = \epsilon_{220} + \Delta\epsilon_{(220-160)}$	0.84	0.84	0.87	0.87	0.88	0.88	0.88	0.88
4	$\epsilon_{AVE} = (\epsilon_1 + \epsilon_2 + \epsilon_3 + \epsilon_4 + \dots + \epsilon_8)/8$	<b>0.867</b>							

## SIGNALS

To reduce cabling in the end system, all major input and output signals and the global +5V bias supply of each section of the power supply, are wired to two separated single signal circuit that are accessed through the connectors J2-1 and J2-2 located at the output side of the chassis as shown in the diagram below.



All signals of each section are referenced to their own bias supply common rails (COM) and external control and/or monitoring circuits can easily be powered and directly interfaced to the PSU through this connector. Each signals circuit is fully medically isolated and can be considered a SELV output. The table below lists the isolation voltages.

Signals isolation voltages		
Signals to Input	4000	V <sub>AC</sub>
Signals to Chassis	250	V <sub>DC</sub>
Signals to Output	250	V <sub>DC</sub>

**+5V bias supply (Power Unit)**

Each of the sections of the entire unit, provides a +5 V bias supply that can deliver up to 200 mA. These two supplies are available whenever the AC mains voltage is connected and their correspondent input stages are operating correctly.

To ensure safety, the following abnormal conditions may cause one or both power supply's sections to latch off, which will disable their +5V bias supply:

- Over temperature of any stage of the section
- Over voltage on the correspondent output
- Internal over current (device failure)

**AC mains signal \_ ACOK (Output)**

An ACOK signal is provided by each section to indicate to the user that the AC mains voltage is applied and the correspondent input stage is operating correctly. This output signal is driven from an internal operational amplifier as shown in the following diagram. Under normal operating conditions this signal gives a warning of 5 ms before the correspondent section output voltage falls below the power good threshold. However, to ensure safety, the following abnormal conditions may cause one or both power supply's sections to latch off without an ACOK warning:

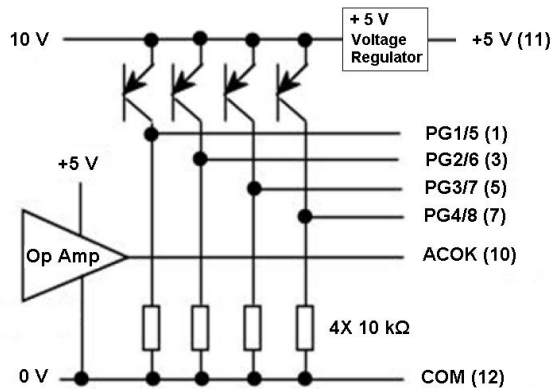
- Over temperature of any stage of the section
- Over voltage on the correspondent output
- Internal over current (device failure)

**Power Good signals \_ PG1-PG4 (Output)**

Each output module provides a power good (PG) signal to indicate when the output voltage is above approximately 90% of the pre-set voltage for that module. Each PG signal on an output module is internally connected through an opto-isolator to the correspondent signals circuit, which buffers the signal through a PNP transistor with a 10 kΩ pull down resistor, as shown here below.

The LED on the front of each module gives a visual confirmation of the PG status.

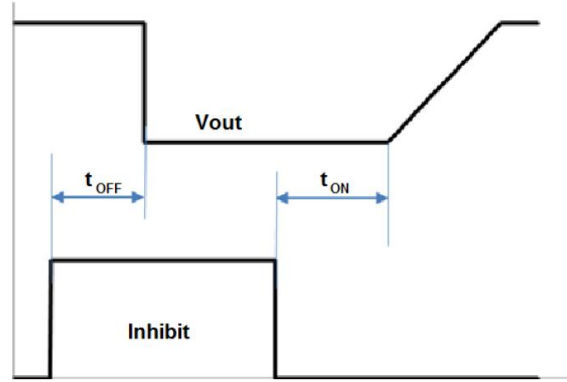
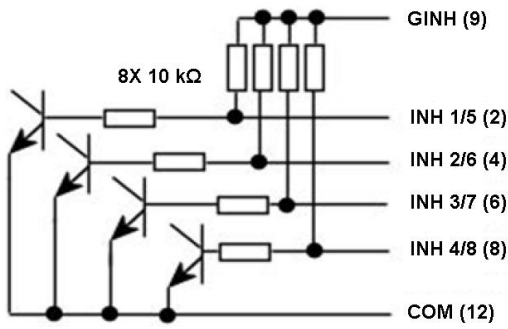
Note that remote adjustments of the output voltage using the  $V_{CONTROL}$  and  $I_{CONTROL}$  pins do not change the PG signal threshold. The PG threshold is always approximately 90% of the voltage set with the manual potentiometer.



**Output Inhibits \_ INH1-INH4, GINH (Input)**

The signals circuit of each section, provides four inhibit inputs to disable each of its output module individually and a fifth global inhibit input (GINH) to inhibit all modules of the correspondent section simultaneously. Each inhibit input is internally connected through an opto-isolator to the respective output modules. The basic internal electrical circuit and timing diagrams are shown below. Typically,  $t_{OFF} = 100 \mu s$  and  $t_{ON} = 8 ms$ .

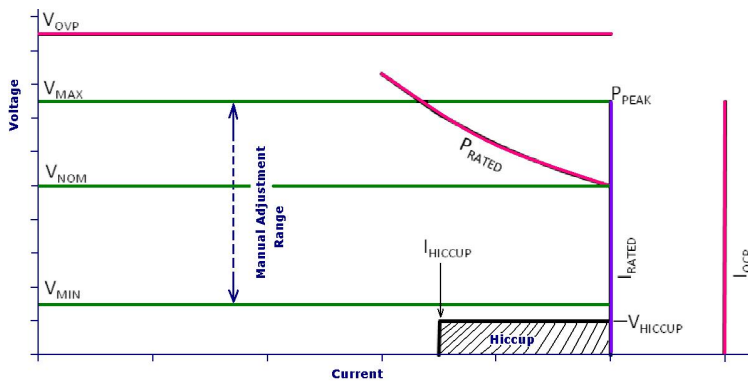
Relatively to each section of the RCB1200 power unit, to inhibit each output module individually, its GINH should be connected to the respective COM, and +5 V applied to the appropriate input INH1/2/.../8. To start with all outputs in a section inhibited and then enable them individually, the correspondent GINH should be connected to +5 V, then pull down the appropriate input INH1/2/.../8. If a GINH in a section is left unconnected, then the correspondent inhibit signals will all behave as global inhibit inputs for that section. I.e. +5 V on any INH input will disable all outputs.



## OUTPUT MODULE OPERATION

### Power profile

The power profile diagram below is a voltage / current plot that together with the associated table provides details of the main features of the currently available output modules.



Parameter	OPA	OPB	OPC	OPD
V <sub>NOM</sub> (V)	5	12	24	48
V <sub>MIN</sub> (V)	1.5	4.5	9	18
V <sub>MAX</sub> (V)	7.5	15	30	58
V <sub>OVP</sub> (V)	9.5	17	32	66
I <sub>RATED</sub> (A)	25	15	7.5	3.75
I <sub>OCP</sub> (A)	27.5	16.5	8.25	4.12
V <sub>HICCUP</sub> (V)	1	2	3.5	3.5
I <sub>HICCUP</sub> (A)	22	13.2	6.6	3.3
P <sub>RATED</sub> (W)	125	150	150	150
P <sub>PEAK</sub> (W)	187.5	225	225	225

### Output voltage adjustment

Each output can be adjusted within the range as described in the table above or in the datasheet. Voltage adjustment can be achieved by two methods:

#### 1. Manual potentiometer adjustment

Using the manual adjust potentiometer, the preset output voltage ( $V_{SET}$ ) of each output module is adjustable over the entire range of  $V_{MIN}$  to  $V_{MAX}$  as specified in the power profile table above. A clockwise rotation of the potentiometer results in an increase of the output voltage while an anti-clockwise rotation results in a decrease of the output voltage.

#### 2. Remote voltage programming

Using remote voltage programming, the output voltage may be adjusted beyond the  $V_{MIN}$  and  $V_{MAX}$  range specified in the power profile table above. However, certain precautions must be taken to ensure correct operation. Please see the "Advanced output module features" section for more details.

### Over Voltage Protection (OVP)

In the event of an output module fault, the modules are protected against excessive output voltages. This is implemented as a fixed voltage threshold ( $V_{OVP}$ , in the table above) and if the output voltage exceeds this threshold the correspondent section of the power unit will be latched off. To resume operation of the power unit, disconnect the AC input voltage for 2 minutes, remove the faulty output module and reconnect the AC input voltage.

Note that no warning is given on the correspondent AC\_OK signal for faults of this type.

**Over Current and Short Circuit Protection (OCP and SCP)**

For increased safety and reliability all output modules in the RCB1200 have over current and short circuit protection. The over current threshold is typically set at 110% of the rated current and has a constant current, straight line characteristic that reduces the output voltage as the load resistance decreases. If the output voltages falls below the hiccup voltage threshold ( $V_{HICUP}$ ) the module enters short circuit protection mode. In this mode the output module uses a hiccup scheme to reduce system losses and potential damage. When in this mode, the output will be enabled for approximately 3% of the time, disabled for 97% and will attempt to restart at approximately 125 ms intervals. The module remains in this state until the short circuit condition is removed, at which point the module returns to normal operation.

**Reverse Current Protection (RCP)**

The standard output modules use synchronous rectification in the output stages to achieve high efficiency and, as a result, the outputs can both source and sink current. The sink current is internally limited to approximately -6% of the maximum rated current. However, in applications where the output modules are connected to external power sources, such as batteries or other power supplies, certain precautions must be observed to prevent damage to the unit.

The outputs should never be directly connected to external power sources without some form of reverse current protection such as an external diode or controlled MOSFET. If protection is not used, large reverse currents which will ultimately result in damage to the unit will occur, especially when the AC mains is disconnected.

**Output Module Average and Peak Power**

All modules have an average and peak power rating. The average power of each unit must at all times remain below its specified limit. However, each output can deliver up to 150% of its average power rating for a maximum of 5 seconds at 50% duty-cycle, subject to the current limit not being exceeded and subject to the overall average power drawn from that section being less than the specified average power rating (including any input de-rating due to temperature or line voltage). The available peak power is a function of the output voltage and maximum current for each module. Full peak power is only possible when the output voltage is adjusted to  $V_{MAX}$  and the maximum current is drawn from the module. Note that both average and peak power ratings are subject to the same temperature de-rating as the input section (de-rate by 2.5% per °C above 50°C), but are not subject to any line de-rating.

**Start up and Shut down**

All outputs are designed to have a regulated monotonic start-up with a rise time of approximately 3 ms as shown in the diagram right. The power good signal stays low until the voltage exceeds the power good threshold ( $\approx 90\%$ ).

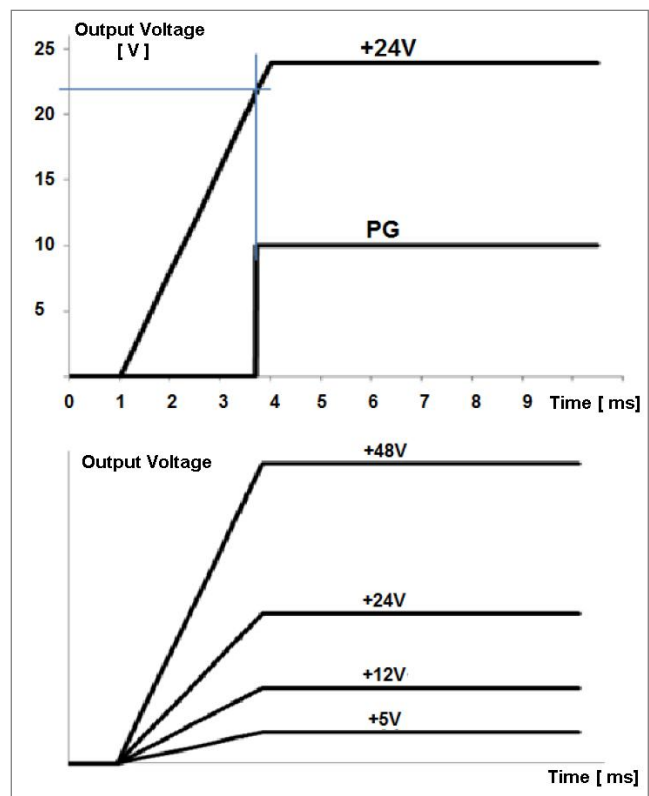
Where multiple output modules are used, in each section, the default start up scheme is ratio-metric with all outputs starting at the same time as shown in the diagram right. External control circuits may be used to implement tracking or sequenced start up if necessary.

The outputs are not designed to start into a pre-biased load and may discharge any externally capacitance before beginning to ramp the output voltage up in the normal way.

At shut-down the outputs enter a high impedance state. Where no external load is present it may take some time for the voltage to decay. When driving inductive loads, care must be taken to limit the voltage at the output terminals so as to prevent damage to the unit.

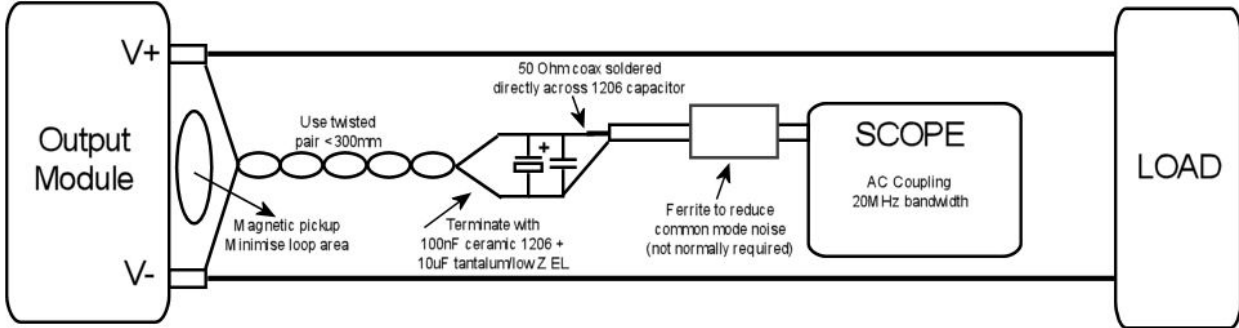
**Synchronisation**

All output modules in the same section of the power unit are synchronised. The typical operating frequency is 260 kHz and paralleled/seriesed modules will not produce beat frequencies.



**Ripple and Noise**

The ripple and noise figures stated in the datasheet are defined based on a standard measuring method. To obtain the same results the same test setup must be used and care must be taken to eliminate any parasitic noise pickup. The diagram below shows details of the setup and also sources of noise pickup.



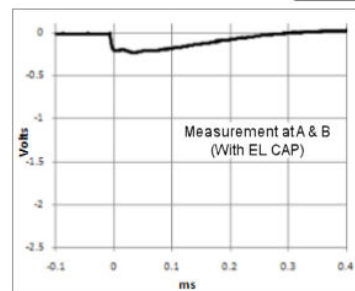
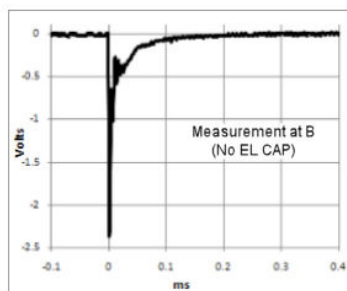
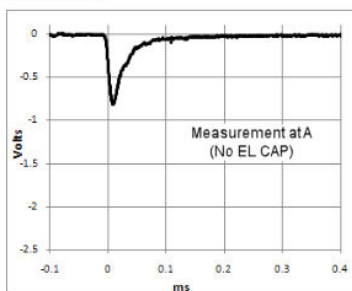
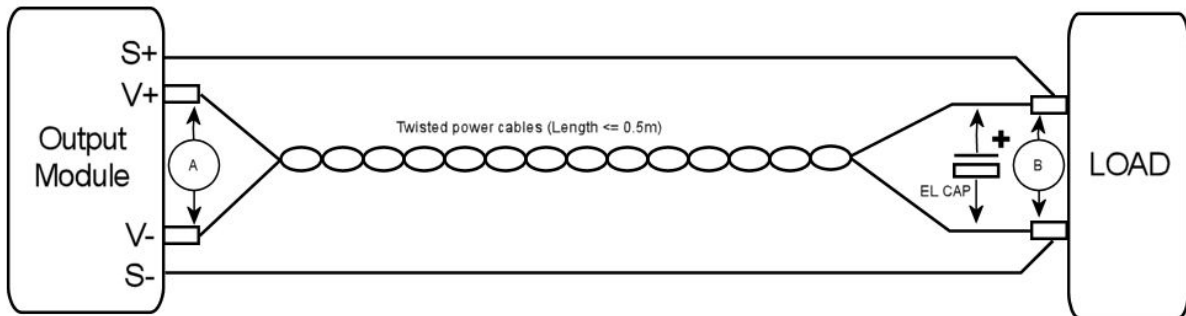
**Over Temperature Protection (OTP)**

Each output module is protected against excessive temperatures. In the event of the internal temperatures exceeding safe levels the entire correspondent section may be latched off. To resume operation of the power unit, disconnect the AC input voltage for 2 minutes, ensure external ambient temperatures are within specifications and then reconnect the AC input voltage. Note that no warning is given on both the AC\_OK signal for faults of this type.

**Transient Response**

The RCB1200 output modules have been especially designed to have high reliability, and to achieve this all electrolytic capacitors have been eliminated from the design. Due to this, high dynamic load transients can cause relatively high voltage deviations at the output and although the outputs have a very high loop bandwidth with typical recovery times of less than 100 μs, the voltage deviations may still be excessive for some applications.

An example application is detailed in the diagram below and shows typical responses at the terminals of the output module and at the load. Notice that the voltage deviation due to cable inductance exceeds the module response and hence a capacitor located at the module terminals will have little effect at the load. The optimum solution is to locate a low impedance electrolytic capacitor at the load which will eliminate the inductive cable drop and also reduce the typical voltage deviation at the module.



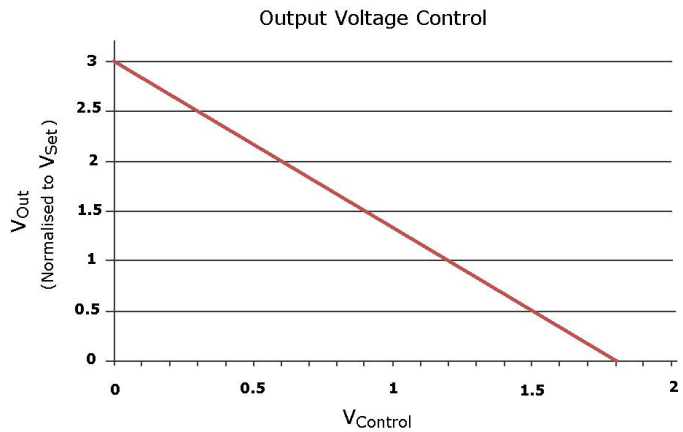
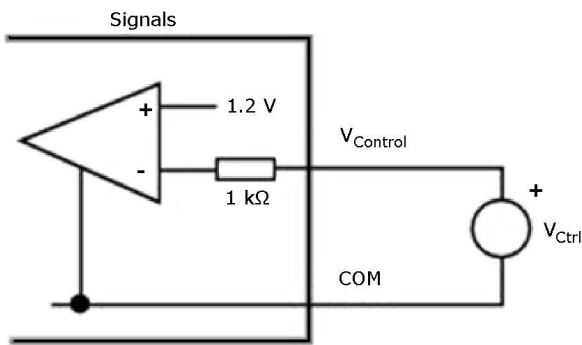
## ADVANCED OUTPUT MODULE FEATURES

### Remote Voltage Programming (External voltage control)

The output voltage of the module can be adjusted using an external voltage source connected between the COM and  $V_{CONTROL}$  pins on the signals connector (J5) as shown below.

In this configuration the output voltage will follow the equation below,

$V_o = V_{set} ((1.8 - V_{ctrl}) / 0.6)$ , where  $V_{set}$  is the manual preset voltage of the module.



The output voltage can be controlled from 0% to 300% of the preset voltage using this control method. However, care must be taken to ensure the output voltage does not exceed the OVP level, as this is considered a safety hazard and will latch the correspondent section off.

To determine the level of control voltage that will trigger OVP, insert  $V_{OVP}$  into the equation above.

Example:  $V_{OVP} = 9.5 \text{ V}$ ,  $V_{set} = 5 \text{ V}$ ;  $V_{ctrl} = 1.8 - (V_{OVP} * 0.6 / V_{set}) = 0.66 \text{ V}$

Hence,  $V_{ctrl}$  should never fall below 0.66 V, otherwise OVP may latch the entire unit off.

Alternatively, by manually adjusting the output voltage to less than 1/3<sup>rd</sup> of the OVP voltage ensures that OVP can never be tripped by remote voltage control.

Care must be also taken to ensure that the output voltage would not be forced below the  $V_{MIN}$  limit, which is stated for each of the output modules (OP-A, OP-B, OP-C and OP-D) in the data-sheet. Exceeding in the output voltage adjustment below the minimum limit, means to force the module output stage to operate in electric overstress, leading to a possible damage more likely the higher the output current required by the load.

Similarly to the above, the control voltage which correspond to the  $V_{MIN}$  level of the output voltage is:

$V_{MIN} = V_{set} ((1.8 - V_{ctrl}) / 0.6)$ ;  $V_{ctrl} = 1.8 - (V_{MIN} * 0.6) / V_{set}$

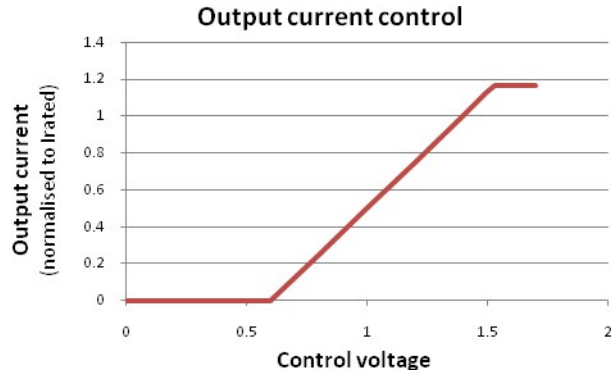
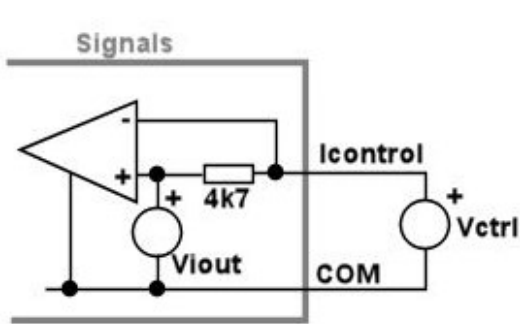
Example:  $V_{MIN} = 1.5$ ,  $V_{set} = 5 \text{ V}$ ;  $V_{ctrl}$  should not be higher than 1.62 V

Also, remote adjustment of the output voltage using the  $V_{control}$  pin does not affect the preset power good threshold. Hence, remotely adjusting the output voltage below  $0.9 * V_{set}$  will cause the power good signal to go low.

**Remote current programming (External voltage control)**

The output current limit of the module can be reduced using an external voltage source connected between the COM and I<sub>control</sub> pins on the signals connector (J5) as shown below. In practice, this also means that the output can be used as a modulated or constant current source.

In the diagram above, V<sub>i\_out</sub> is an internal voltage source that is proportional to the internal inductor current and approximates the equation,  $V_{i\_out} = 0.6 + (I_{out}/(I_{rated}*1.25))$ , where I<sub>rated</sub> is the maximum rated current for the module.



In this configuration the output current limit will approximate the following equation,

$$I_{limit} = (V_{ctrl} - 0.6) * I_{rated} * 1.25$$

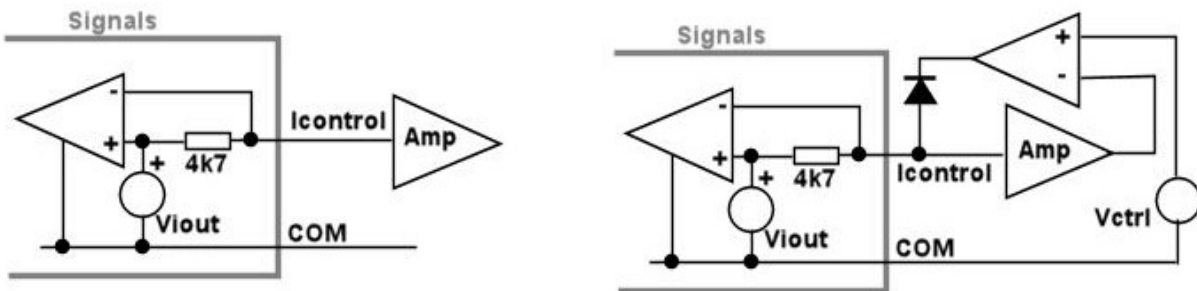
It is not possible to increase the maximum current limit of the module, and control voltages (V<sub>ctrl</sub>) exceeding 1.53 V will have no effect on the current limit.

When using an output module as a modulated current source, the output voltage should be manually adjusted to the maximum that will be required by the application and this will be the upper voltage limit. Once the load is connected, the output current can then be modulated by applying a control voltage as described above.

Note that the power-good threshold level is fixed and defined by the manually preset voltage. Hence, while the output module is limiting or modulating the output current this signal may go low.

**Output current measurement**

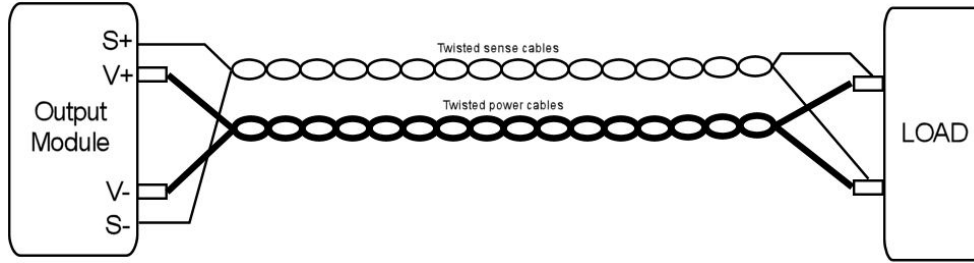
The output current of the module can be measured using the I<sub>control</sub> signal. If this pin is unloaded its output voltage will follow the equation,  $V_{i\_out} = 0.6 + (I_{out}/(I_{rated}*1.25))$ , where I<sub>rated</sub> is the maximum rated current for the module.



Note that the I<sub>control</sub> output voltage is representative of the internal inductor current not the actual load current. However, this will only have an influence during dynamic events. It is recommended to add an external amplifier (as shown above left) when using the I<sub>control</sub> signal to measure the output current as loading the I<sub>control</sub> signal, even with microamps can cause the current limit to be reduced. If it is required to measure the output current and adjust the output current limit simultaneously, this can be achieved by using a clamp circuit instead of a voltage source to adjust the current limit, while continuing to use an amplifier to measure the output current. An example circuit is shown above right. In this case V<sub>ctrl</sub> will control the current limit while the amplified I<sub>control</sub> signal will provide a measurement of the output current.

**Remote sensing**

Remote sensing is available on all output modules and can be used to compensate for any voltage drop in the main power leads between the power supply and the load. To implement remote sensing connect the positive sense pin (S+, connector J5.2) to the positive side of the remote load and the negative sense pin (S-, connector J5.1) to the negative side of the remote load. The voltage will be regulated at the points where the sense cables are connected.



Active protection against worn out power cables or accidental power cable removal is provided and prevents damage to the unit in each case. An internal circuit measures the voltage between S+ to V+ and S- to V-, when this voltage exceeds the thresholds specified in the datasheet, the output voltage is reduced to benign levels. During system design, care must be taken to ensure power cables have a sufficiently low voltage drop at maximum load current to ensure this protection does not activate unintentionally.

In systems where remote sensing is not used, the output voltage at the power terminals will be slightly higher than that at the sense terminals. This voltage difference is termed, open sense off-set and occurs due to internal bias currents in the sensing circuit. Factory set units are set with the sense cables connected unless otherwise specified.

**Local Bias supply**

A local non-isolated +5 V bias supply is provided on each output module (+5 V on J5.6, referenced to COM on J5.5). This supply is intended to power interface circuits for monitoring and controlling the output modules, such as amplifying the current output signal as described earlier. The output can supply up to 10 mA maximum, and exceeding this can damage the unit.

Also, as COM is connected to an internal voltage that is **NOT** equivalent to S- or V-, particular attention must be given to grounding issues when interfacing COM to any control circuit in the application. Connecting COM to S- or V- may result in damage to the unit.

**OUTPUT MODULES IN SERIES**

RCB1200 output modules of the same type can be seriesed in any number to achieve higher output voltages, even across multiple chassis. The following instructions must be followed for output modules configured in this manner.

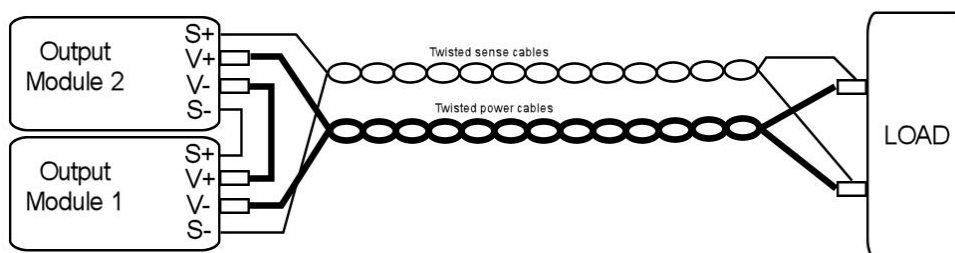
**WARNING!**  
Energy and voltage hazards may arise when individual modules are seriesed.  
See the Safety section for more details.

**Isolation to ground**

Care must be taken not to exceed the output module isolation to chassis ground when seriesing outputs. Each output is rated for 250 V maximum between each output terminal and chassis ground. Exceeding this voltage may damage the unit.

**Remote sensing**

For seriesed modules, remote sensing is achieved by connecting the upper most positive sense terminal (S+) and the lower most negative sense terminal (S-) from the series of modules to their respective load regulation points. All inner sense terminals in the series must be daisy chained, S+ to S- from the first module in the series to the last module in the series. An example of two seriesed modules is shown below.





**Series remote voltage/current control**

Remote voltage and/or current control is possible with any number of outputs in series using the advanced V-control and I-control functions as described earlier. However, individual control of each module can be complex as the various control terminals are referenced to the positive output of the preceding module and require the use of multiple isolated control voltages to attain control over the full voltage range. In practice, individual control of each module is rarely required and a more straightforward method is to control all outputs simultaneously with a single control voltage. With RCB1200 output modules this is effortlessly achieved with the use of an external tracking circuit, details of which can be provided upon request. Using the external tracking circuits allows all modules in a series to be controlled by a single control voltage that can be referenced to the COM (J5.5) pin on any module.

**SELV precautions**

Where series combinations of output modules exceed 60 V, the output can no longer be considered SELV (Safety Extra Low Voltage) and hence the final equipment manufacturer must provide suitable protection for both users and service personnel.

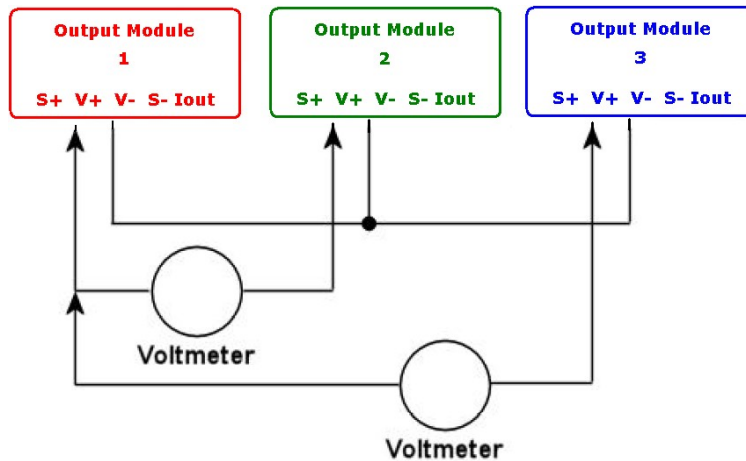
**OUTPUTS IN PARALLEL CONFIGURATION**

RCB1200 output modules of the same type can be paralleled in any number within the same section to achieve higher output currents. Paralleling across the two sections in the same chassis is not possible without external protection (such as external diodes or controlled MOSFETs) to prevent circulating currents between them. Failure to provide such protection may result in damage to the units.

**WARNING!**

Energy hazards may arise when individual modules are paralleled. See the Safety section for more details.

For best performance, the output voltages of each paralleled module should be adjusted as close as possible. Follow the procedure below to achieve the most accurate results:

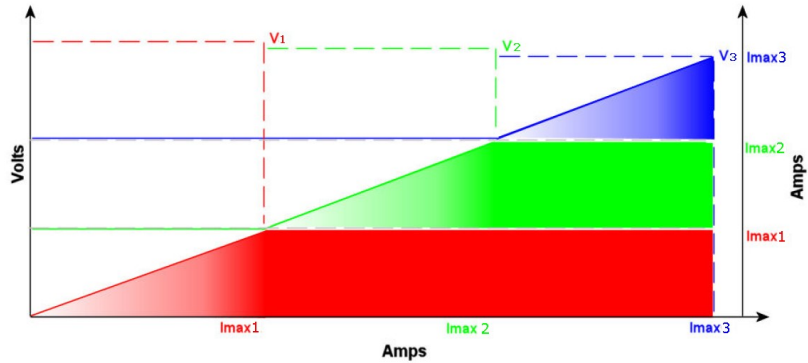
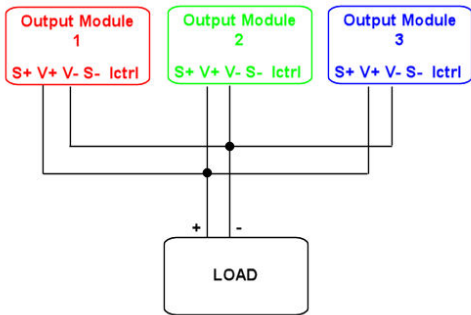


1. Connect all the negative power cables together.
2. Adjust the first module (1) to the desired voltage.
3. Connect a voltmeter between the positive terminal of the first module (1) and the positive terminal of the second module (2) and adjust the second module (2) until the voltmeter reads 0.000 volts.
4. Repeat step 3 for the remaining modules, always using the positive terminal of the first module (1) as the reference.

When paralleled, the outputs can operate in two distinct modes, Normal parallel mode or Share parallel mode.

**Normal parallel mode**

For normal parallel mode, the positive power cables should be connected together and the negative power cables should be connected together. No other connections are required as shown in the diagram below.



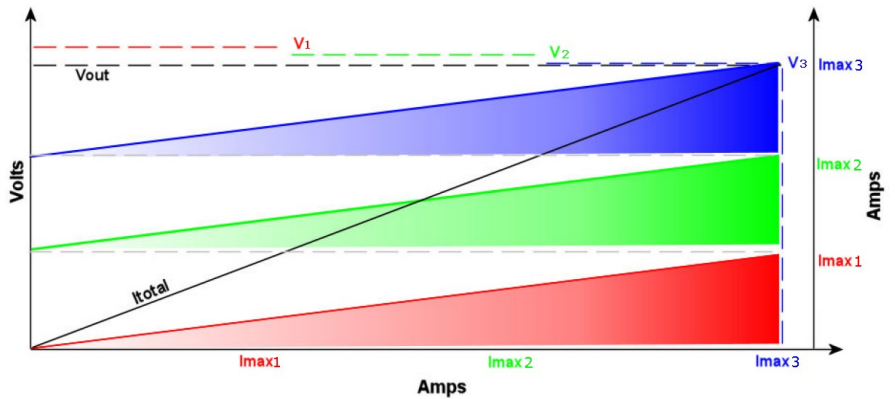
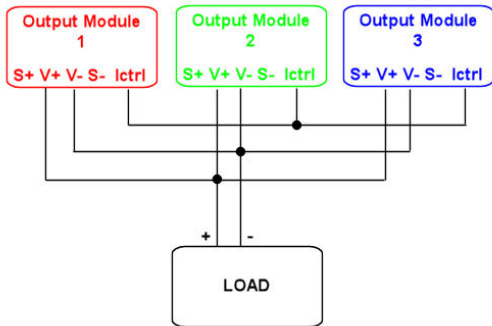
In this mode the highest adjusted output module will supply all of the load current until its current limit is reached. If the load demand exceeds this level the output voltage will drop to the level of the next highest adjusted module and that module will begin to supply the load current while the first module continues delivering full current. This process repeats for the total number of paralleled modules. The diagram above shows the V-I curve for such a system.

Output modules that are not delivering current will typically sink a small amount of current from the other outputs, but this will not exceed -6% of each modules maximum rated current.

Typically, system reliability is reduced as the higher adjusted modules will do most of the work with the lower adjusted modules only delivering current during peak load demand.

**Share parallel mode**

In Share parallel mode, the outputs are paralleled as before and the Ictrl pin for each module is connected together as shown in the diagram below.



Connecting the Ictrl pins together forces all the outputs to deliver the same current, ensuring that the system reliability is maximised and the work load is distributed evenly across all paralleled modules.

In this mode, the lowest adjusted output module will determine the actual output voltage and all higher adjusted outputs will reduce their voltage.

There may be a small amount of circulating current between the modules, approximately 6% of the maximum rated current for each module.

The current output signal (Ictrl) can still be used to measure the output current but it must be scaled by N, where N is the number of paralleled modules.

**WARNING!**

Care must be taken to avoid differential voltages between the negative power output terminals of the paralleled modules as this can cause errors at the control pins. To avoid this, it is recommended that a low impedance connection be made between the negative power terminals close to the PSU output and cables then connected from this common point to the load.

**Paralleling across multiple chassis**

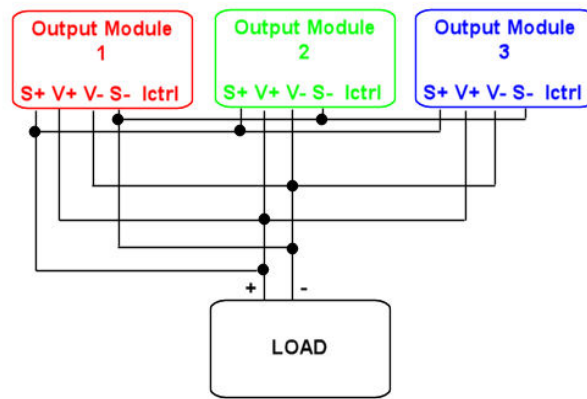
Paralleling across multiple chassis is not possible without external protection (such as external diodes or controlled MOSFETs) to prevent circulating currents between each chassis. Failure to provide such protection may result in damage to the units. Consult Roal Electronics for details on how best to implement such applications.

Where units are paralleled across multiple chassis, the outputs in each chassis will not be synchronised and the peak-to-peak output ripple may contain beat frequencies in the audio spectrum.

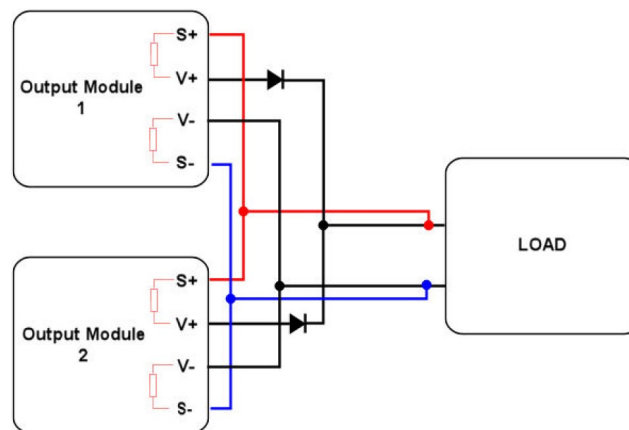
**Parallel remote sensing**

Remote sensing can be used as normal with paralleled modules even across the two sections of the RCB1200. The sense lines (S+ and S-) from each of the output modules should be connected together, S+ to S+, and S- to S- as shown below. This should be done close to the power supply output and a single pair of cables brought from these sense lines to the load. Keeping cable lengths to a minimum and using twisted pairs where necessary will help reduce noise pickup in the sense lines.

**N+1 configurations**



When using N+1 redundant configurations, a suitably rated diode (or controlled MOSFET) must be used on each output to prevent a device failure from causing a system failure. However, the diode introduces voltage drops between the supply and the load that significantly degrade the load regulation. To counteract this, the remote sense lines should be used to regulate the voltage at the load as shown below.



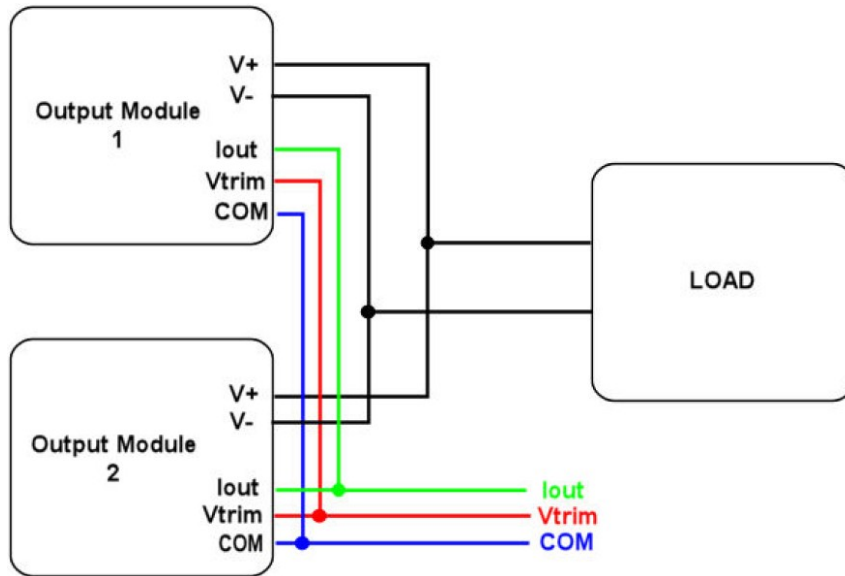
Typically this configuration can damage the internal sense resistors used within a power supply. However, the RCB1200 outputs have integrated protection to prevent this type of damage and are completely N+1 compatible without any additional external protection circuitry. Note that only the positive sense terminal is protected and diodes should be used in the positive connection only.

**Paralleled remote voltage/current adjust**

The simplest way to achieve remote voltage/current programming with paralleled outputs is to operate the modules in share parallel mode. Follow the procedure outlined earlier to configure the outputs in share parallel mode and once configured in this mode, all the  $V_{control}$  and COM pins can be connected together. Remote voltage/current programming can then be performed exactly as with a stand-alone module.

The same scheme applies when the output modules are paralleled across the two RCB1200 sections.

It is not recommended to use remote voltage/current programming in normal parallel mode.

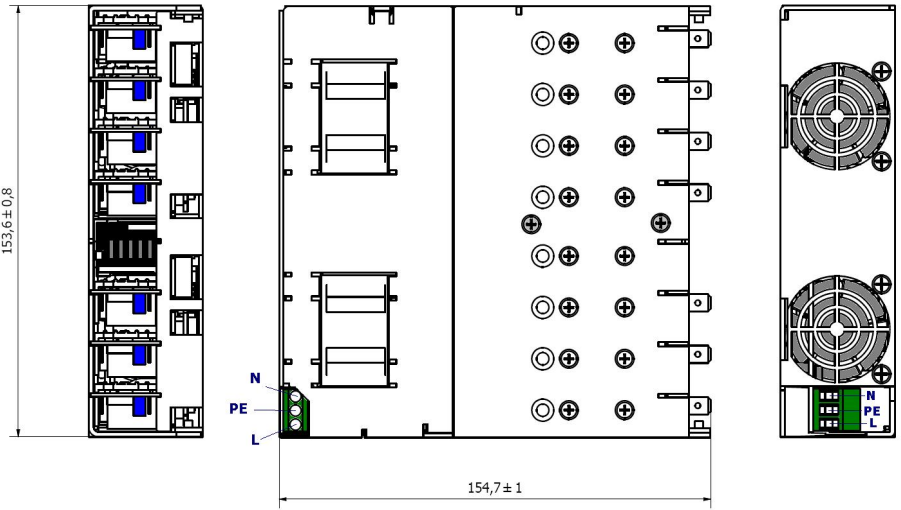
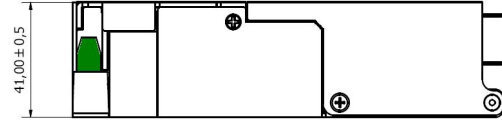


**WARNING!**

Care must be taken to avoid differential voltages between the negative power output terminals of the paralleled modules as this can cause errors at the control pins. To avoid this, it is recommended that a low impedance connection be made between the negative power terminals close to the PSU output and cables then connected from this common point to the load.

## MECHANICAL SPECIFICATIONS – OUTLINE DRAWING AND DIMENSIONS

Specification	Details	Nominal	Units
Dimensions	1U: 44.4 mm (1.75 in)	153.6 x 154.7 x 41.0 6.05 x 6.09 x 1.61	mm in
Weight	Chassis + input	820	g
	Output modules	60	g
	Chassis + input	1,81	lb
	Output modules	0.13	lb
Mounting	Bottom mounting through M4 screws	M4	



### SCREWS

#### Power Chassis MH1, MH2, MH3, MH4, MH5

Screw type	M4
Tightening torque	Tighten to 0.55 Nm (4.87 lb-in) (*)
Penetration depth	4.00 mm max, including chassis

#### Output Modules / Blanking Plates x 16

Screw type	M3x4, C/Sink, Pozidriv®, Stainless steel
Tightening torque	Tighten to 0.36 Nm (3.19 lb-in) (*)
Penetration depth	Defined by screw

#### Secondary cover x 4

Screw type	M3x4, C/Sink, Pozidriv®, Stainless steel
Tightening torque	Tighten to 0.36 Nm (3.19 lb-in) (*)
Penetration depth	Defined by screw

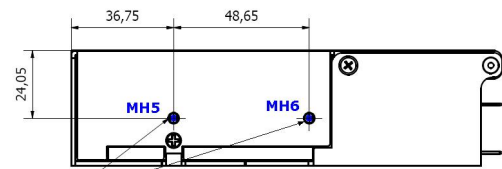
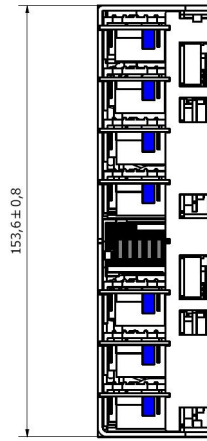
#### Primary Cover x 2

Screw type	M2.5x4, C/Sink, Pozidriv®, Stainless steel
Tightening torque	Tighten to 0.36 Nm (3.19 lb-in) (*)
Penetration depth	Defined by screw

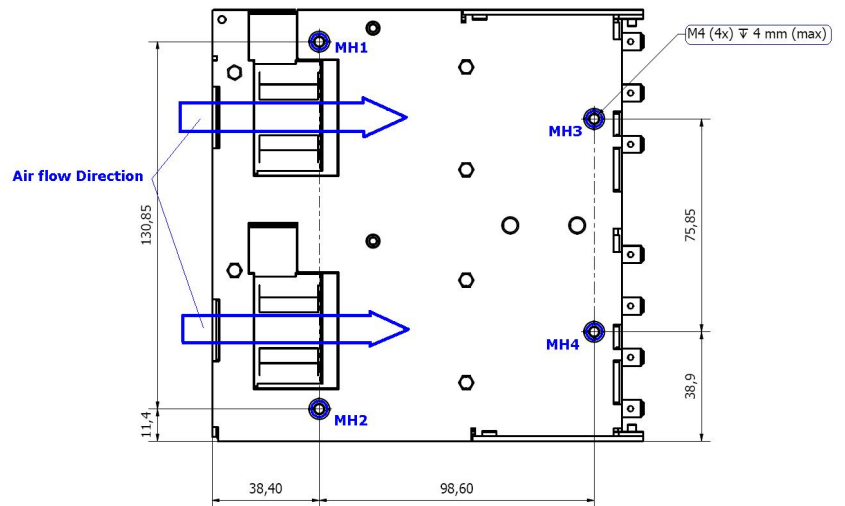
#### Fan x 4

Screw type	M3x30, C/Sink, Pozidriv®, Stainless steel
Tightening torque	Tighten to 0.36 Nm (3.19 lb-in) (*)
Penetration depth	Defined by screw

(\*) Indicated tightening torque is the one recommended by the threaded insert manufacturer and it shall be regarded as a reference only. Over-tightening the chassis-mounting and modules fixing screws may result in damaged threads.



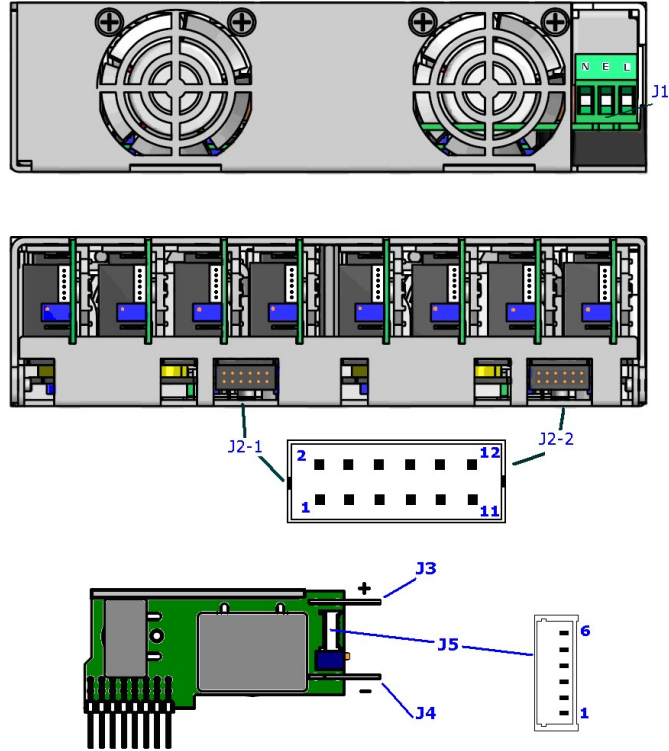
M4 (2x) ∅ 4 mm (max)



M4 (4x) ∅ 4 mm (max)

## MECHANICAL SPECIFICATIONS – INPUT / OUTPUT CONNECTIONS

PIN ASSIGNMENT	
Circuit	Details
<b>J1</b>	
1	Neutral
2	Earth
3	Live
<b>J2-1 and J2-2</b>	
1	Power Good Slot #1
2	Inhibit Slot #1
3	Power Good Slot #2
4	Inhibit Slot #2
5	Power Good Slot #3
6	Inhibit Slot #3
7	Power Good Slot #4
8	Inhibit Slot #4
9	Global Inhibit
10	AC OK
11	+5V 200mA, Bias Supply
12	COM
<b>J5</b>	
1	-Sense
2	+Sense
3	Voltage Control
4	Current Control
5	Current Sharing
6	Current Monitor
7	COM
8	+5V 10mA, Bias Supply
<b>J3</b>	
Positive Output	
<b>J4</b>	
Negative Output	

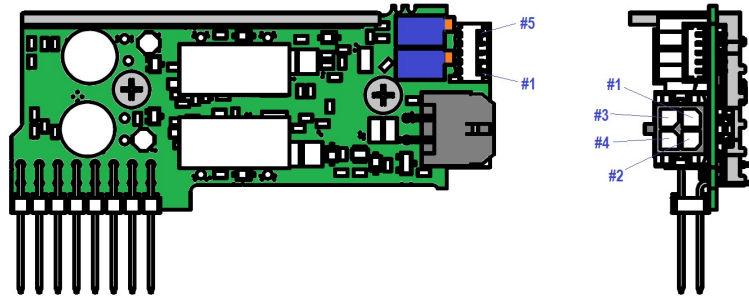


COUNTERPART CONNECTORS				
Reference	Details	Manufacturer	Housing PN	Terminal PN
AC Mains Input <b>J1</b>	<ul style="list-style-type: none"> <li>5.08 mm (0.200 in), 3 circuits housing, with friction lock, or, any direct equivalent.</li> <li>Crimp terminal, 18-24 AWG, tin finish, or, any direct equivalent.</li> </ul>	Molex	0010013036	0008701031
Power Unit Signal <b>J2</b>	<ul style="list-style-type: none"> <li>2.00 mm (0.079 in) 12 circuits housing with locking ramp, or, any direct equivalent.</li> <li>Crimp terminal 24-30 AWG, gold finish, or, any direct equivalent.</li> </ul>	Molex	0511101260	0503948051
Output Power <b>J3/J4</b>	<ul style="list-style-type: none"> <li>Quick Disconnect Receptacle compatible with PCB mounting TAB, size 0.80X6.35 mm. Tin finish.</li> </ul>	Vogt AG Tyco Electronics	NA	3967 640907-1
Output Signal <b>J5</b>	<ul style="list-style-type: none"> <li>1.25 mm (0.049 in), 6 circuits housing,</li> <li>Crimp terminal 28-32 AWG, tin finish, or, any direct equivalent</li> </ul>	Molex	0510210600	0500588000

- Notes:**
- Output power terminal and wire current rating must exceed maximum short circuit output current (OP-A: 25\*1.25 = 31.25 A)
  - Direct equivalents may be used for any connectors parts
  - All cables must be rated 105°C min, equivalent to UL1015.

### Dual Output Modules – OPW / OPZ – Pin Assignment and Outline drawing

Circuit	Description
<b>V1 and V2 Output Voltages</b> MOLEX 0430450400	
1	-V1
2	-V2
3	+V1
4	+V2
<b>Signals</b> MOLEX 0530480510	
1	S <sup>-</sup> (V2)
2	S <sup>+</sup> (V2)
3	Not connected
4	S <sup>-</sup> (V1)
5	S <sup>+</sup> (V1)



OPW / OPZ Counterpart Connectors				
Reference	Details	Manufacturer	Housing PN	Crimp Terminal PN
<b>V1 /V2 Outputs</b>	<ul style="list-style-type: none"> <li>Micro-Fit 3.0™ Receptacle Housing, Dual Row, 4 Circuits, Halogen Free.</li> <li>Micro-Fit 3.0™ Crimp Terminal, Female, with Tin (Sn) Plated Phosphor Bronze Contact, 20-24 AWG</li> </ul>	Molex	0430250400	43030-0001
<b>Signals</b>	<ul style="list-style-type: none"> <li>1.25mm Pitch PicoBlade™ Wire-to-Wire and Wire-to-Board Housing, Female, 5 Circuits.</li> <li>1.25mm Pitch PicoBlade™ Crimp Terminal, Female, 28-32 AWG.</li> </ul>	Molex	51021-0500	50058-8000

## CONFIGURING YOUR POWER SUPPLY

The RCB1200 power supply is designed to be used as part of an end-system in a restricted environment and therefore should only be accessible to qualified and trained personnel. Persons attempting to configure a unit must have the necessary knowledge and training before doing so. Incorrect configuration may cause damage to the power supply and may affect its warranty.

Output power modules (OP-A, OP-B, OP-C, OP-D) may be added, replaced or moved by strictly following the sequence of operations described here below.

Please contact ROAL Electronics or your distributor for assistance in configuring your power supply.

### Step 1:

Remove the AC input line connection and all other connections from the power supply. Remove the unit from the system if there has been previously installed.

### WARNINGS!

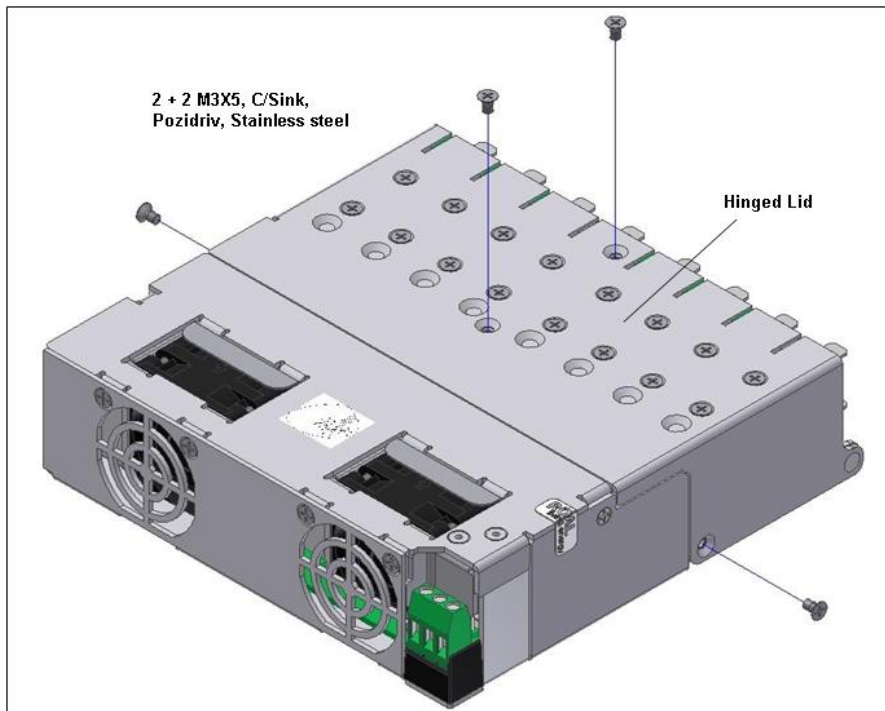
Leave the unit to stand for a minimum of 3 minutes after removing all power and other connections from the unit before attempting to configure or re-configure the power supply.

Always remove the power supply before handling. During operation, the external surface of the unit can become hot. Leave the unit to stand for 10 minutes for cooling down before handling.

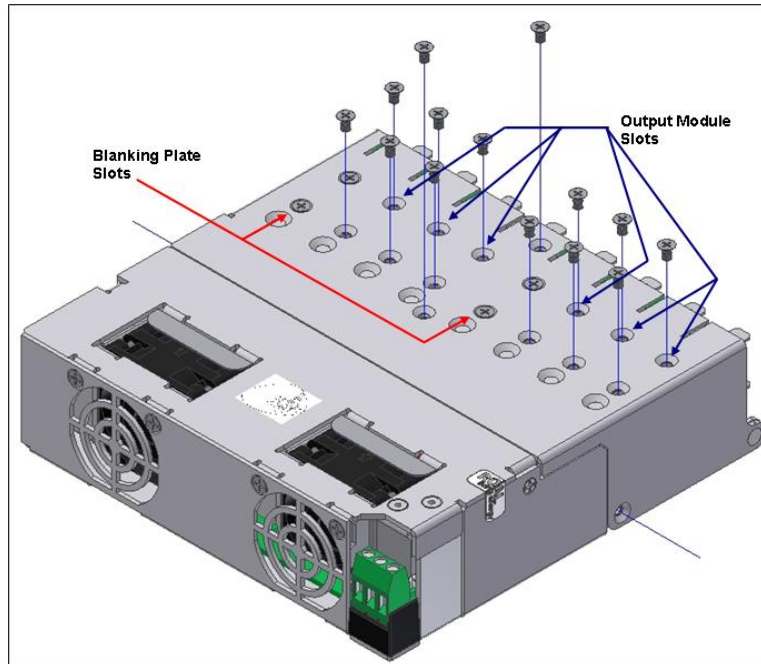
Dangerous voltages are present within the power supply. Covers may only be removed by qualified personnel when the power supply has been disconnected from the mains supply voltage for more than 3 minutes. Covers must be replaced and all screws secured properly before reconnecting to the mains voltage.

### Step 2:

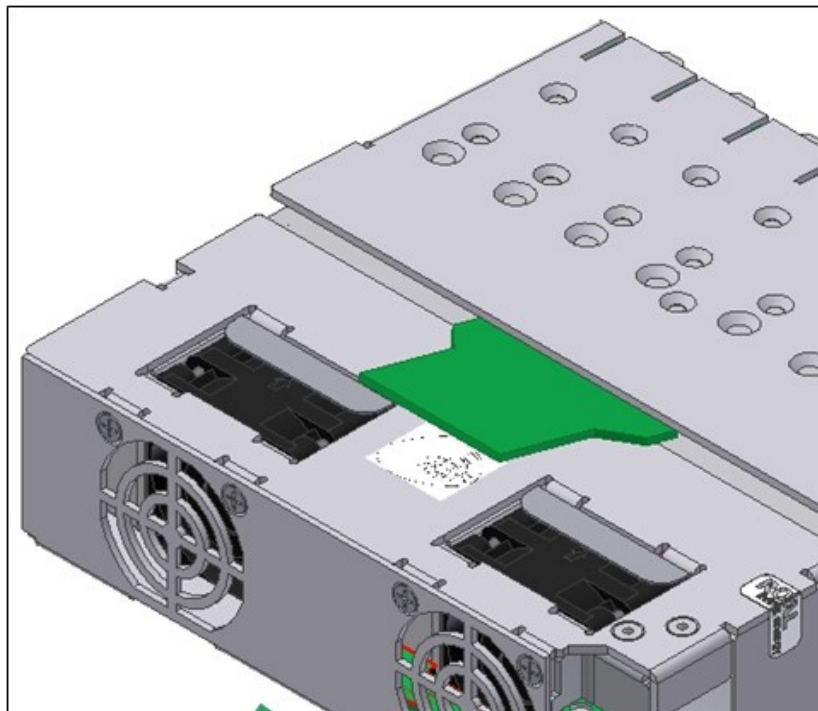
Remove the four screws that secure the hinged lid to the chassis.



**Step 3:**  
Each output module (OP) or blanking plate (BP) is secured to the pivoted lid through a couple of screws. A power supply, however configured, does have eight pairs of screws visible on the upper surface of the lid. When re-configuring a power supply only remove the screws that hold an OP while leaving tightened BP's ones.



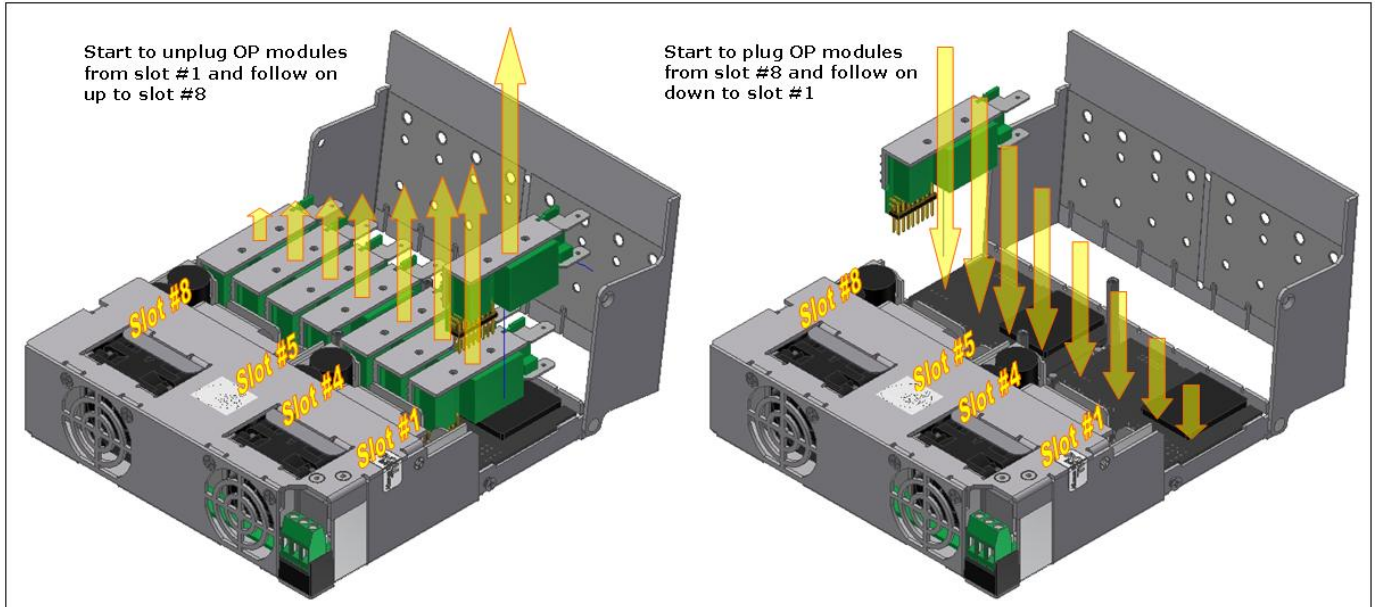
**Step 4:**  
Once all the screws that hold the OPs has been removed, the next step is opening the lid by rotating it around the two pins that bind it to the chassis. Ensure that all output modules are detached from the lid, before doing so.



Once the cover has been rotated at the most comfortable angle, it is possible to remove any BPs as required by the new configuration needed.

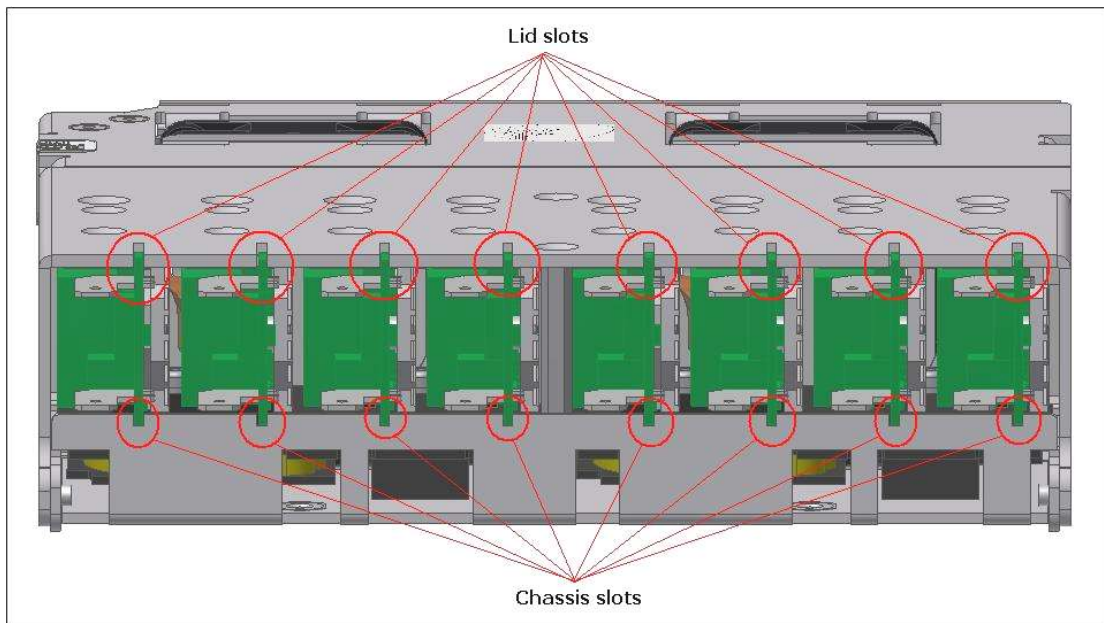


**Step 5:**  
With the lid properly rotated, the OPs can be removed and replaced as required. To properly remove the modules, start with slot #1. Hook one finger underneath the output module heat-sink, near the back, and lift it out while holding down the power chassis. Repeat this for slots #2, 3# and finally slot #8 in sequence. To replace or install new OPs, use the reverse order when plugging.

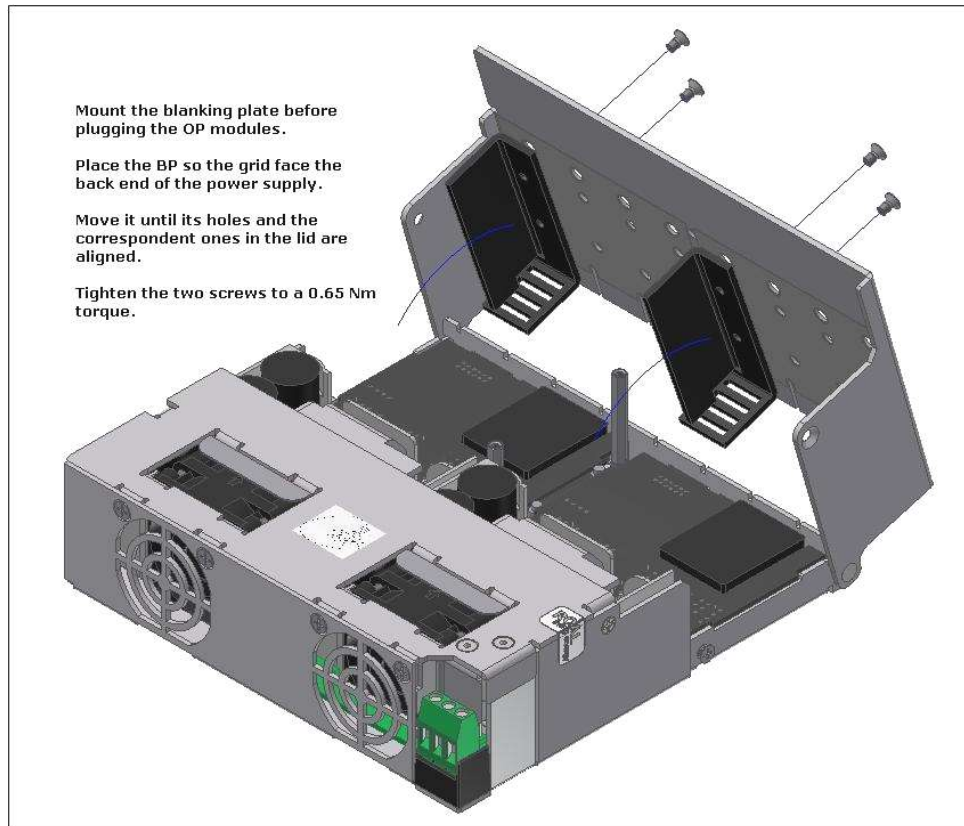


To replace or install new OPs, a 15 pins header must be plugged directly into the mating connector on the unit printed circuit board (PCB). To do so, simply align the connector and push the OP properly down securing it in the notch at the back of the chassis as shown below. Each connector is keyed to prevent improper insertion.

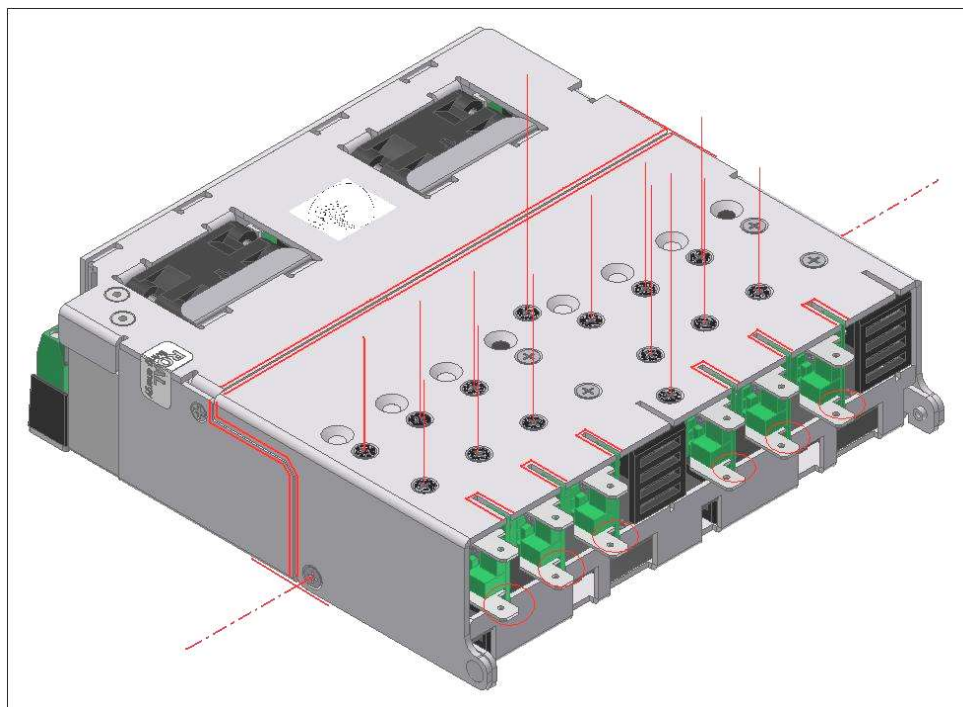
**Step 6:**  
Once the modules are replaced and the new configuration is complete, the lid can be closed again. Doing this, exercise extreme care so that all the OPs PCBs are ensured into the chassis and lid slots (see drawing below). Closure movement should neither encounter obstructions nor require an excessive force.



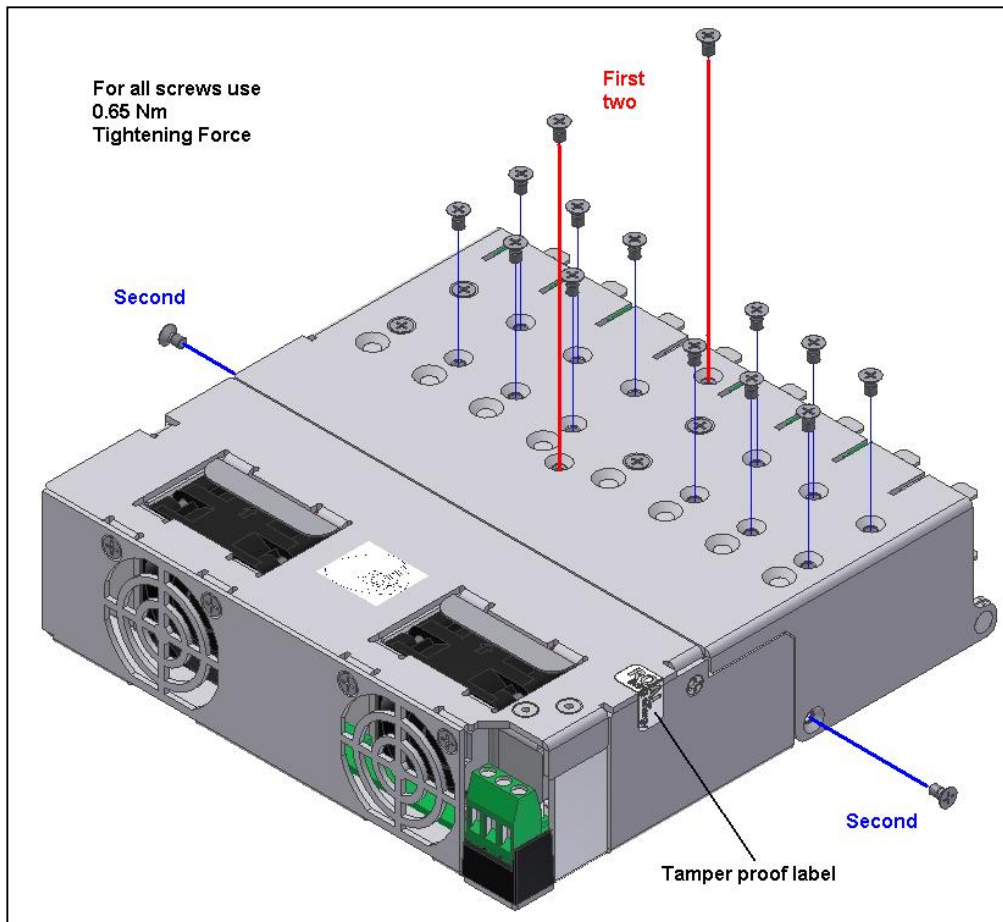
A blanking plate must always be used whenever a slot does not contain an output module. Any blanking plate should be secured to the lid before closing it. To facilitate operations, the BPs should be assembled before the OPs.



As evidence of power unit proper closing, output modules PCBs must be properly housed in the notches and in the slots of the chassis and cover respectively, mechanical parts and screws holes must be aligned without exerting any effort.



**Step 7:**  
Insert the screws and tighten them according to the sequence highlighted below. Always use the appropriate tooling (Pozidriv point size:1) and do not over tighten.



**WARNING!**

Do not apply power to the power supply before replacing the lid and securing all the screws.

Never remove the cover secured on the input side of the chassis. It is sealed by a tamper evident security label.

Removing it makes accessible high voltage parts exposing a operator to electric shock danger. Any alteration affecting the label will void the warranty on the Power Supply.

**Step 8:**  
Reconnect the AC line input and apply power to ensure all the output modules are working by checking their LED light comes on. Always check the output voltage of each module to ensure it is adjusted to your requirements. Remove power and connect all other cables. The power supply is now ready for use.

## SAFETY

The RCB1200 power supply has been designed to comply with the Low Voltage Directive (LVD) 2006/95/EC and is CE marked to show its compliance.

When correctly installed in a limited access environment, the RCB1200 complies with the requirements of UL/EN/IEC 60950-1, CSA22.2 no. 60950-1, UL/EN/IEC 62368-1.

The power supply should not be operated close to combustible materials or atmosphere.

Care should be taken to ensure liquid or metal shavings do not enter the power supply as this can cause a fire hazard.

The power supply does not contain any user serviceable parts and should be returned to ENEDO for repair.

### Approval limitations (NORTH AMERICA)

When this product is used within 180 – 253 V<sub>AC</sub> mains where no neutral is present, connect the two live wires to L (Line) and N (Neutral) on the input connector.

### WARNING!

Modules in series with combined voltages exceeding 60 V are not considered SELV. Modules in series and/or in parallel with combined energy ratings greater than 240 VA may cause energy hazards. The equipments manufacturer must provide additional and adequate protection to service and technical personnel.

Always remove the power before handling the unit. During operation the external surface of the unit can become hot. Leave to stand for 10 minutes to allow the unit to cool down before handling it.

Dangerous voltages are present within the power supply. Covers may only be removed by qualified personnel when the power supply has been disconnected from the mains supply voltage for more than 3 minutes. Covers must be replaced and all screws secured properly before reconnecting to the mains voltage.

Parameter	Details	Min	Max	Units
Isolation voltage	Input to Output		4000	V <sub>AC</sub>
	Input to Chassis		1500	V <sub>AC</sub>
	Output to Chassis		250	V <sub>DC</sub>
	Output to Output		250	V <sub>DC</sub>
Isolation clearance	Primary to Secondary (Reinforced)	7		mm
	Primary to Chassis (Basic)	2.5		mm
Isolation creepage	Primary to Secondary (Reinforced)	12		mm
	Primary to Chassis (Basic)	4		mm
Leakage current	Standard: 265 V <sub>AC</sub> , 63 Hz, 25 °C		600	µA
Agency Approvals	cUR <sub>US</sub> , Demko, CB Certificate			
Standards	UL/IEC/EN60950-1, CSA C22.2 No. 60950-1, UL/EN/IEC 62368-1			
	CE Mark: LVD 2006/95/EC, EMC Directive 2004/108/EC, safety requirements of the directive 2001/104/EC.			

## EMC COMPLIANCE

To support compliance of the final system design with the EMC directive 2004/108/EC, the RCB1200 PSU has been designed and tested to the following standards.

Parameter	Standard	Evaluation Criterion	Level / Class
<b>Emissions</b>			
Radiated electric field	IEC EN 61000-6-3		B
Conducted emissions	IEC EN 61000-6-3		B
Harmonic distortion	IEC EN 61000-3-2		A
Flicker and fluctuation	IEC EN 61000-3-3		Compliant
<b>Immunity</b>			
Electrostatic discharge	IEC EN 61000-4-2 (15 kV air, 8 kV contact)	A	4
Radiated RFI	IEC EN 61000-4-3 (10 V/m)	A	3
Fast transient burst	IEC EN 61000-4-4 (4 kV)	A	4
Input line surges	IEC EN 61000-4-5 (1 kV L-N, 2 kV L-E)	A	3
Conducted RFI	IEC EN 61000-4-6 (10 V)	A	4
Voltage dips	IEC EN 61000-4-11		Compliant

For radiated and conducted emissions, compliance of the final system relies on proper installation of the PSU component. The installation guidelines detailed below should be followed.

### Installation guidelines for EMC

The RCB1200 power units should be mounted within a metal enclosure using the mounting fixtures provided. If the application enclosure is not metal then a metal ground plate should be used to mount both the power supply and the load.

Decoupling the loads to the chassis or ground plate with suitably rated 100 nF capacitors can assist in reducing emissions.

Both input and output cables should be fixed as close as possible to the ground plate or metal enclosure. Also, input and output cables should be separated as much as possible.

Output power and sense cables should be twisted pairs and routed parallel to each other. Do not twist sense and power cables together.

All cables lengths and loop areas should be minimized.

Where cables must enter or exit the enclosure, good high frequency 100 nF decoupling capacitors of sufficient voltage rating should be connected to the cables as close to the entry/exit point as possible.

For further details or assistance contact ENEDO.

## RELIABILITY

Every component relative to the configurable RCB1200, has undergone extensive testing, including HALT and Environmental testing.

Their reliability has been calculated according to Telcordia Issue 1 standard and the following operating conditions:

- Nominal input voltages (110 – 230 V<sub>RMS</sub>),
- 80% maximum load (960 W)
- 40 °C ambient temperature
- 50% operation duty.

Power chassis including 2x fans, 2x input boards, 2x winding boards:

4 FPMH (Failure Per Million Hours)

Output modules:

1 FPMH

Configured power supply reliability prediction:

$MTBF = 10^6 * 1 / \text{Total FPMH}$

Where Total FPMH is the sum of the FPMH relative to each component of the configured power supply.

Example:

It is required to predict the reliability of the power supply configured as follow, RCB1200-AABBCD00, operating in a 40 °C environment, at 80% maximum load and a 50% duty cycle.

1200 W power chassis: 4.0 FPMH

A module: 1.0 FPMH

B module: 1.0 FPMH

C module: 1.0 FPMH

D module: 1.0 FPMH

Total FPMH 10.0 FPMH

Therefore,  $MTBF = 1000000 / 10.0 = 100000$  hours

Reliability data is collected on an ongoing basis. Please contact ENEDO or your distributor for the most up-to-date reliability data or to get reliability prediction for a specifically configured power supply in certain operating conditions.

Specifications appearing in ENEDO's catalogues and brochures as well as any oral statements are not binding. All descriptions, drawings and other particulars (including dimensions, materials and performance data) given by ENEDO are as accurate as possible but, being given for general information, and are not binding on ENEDO. ENEDO makes thus no representation or warranty as to the accuracy of such material. We assume no liability other than as agreed in the terms of the individual contracts and we reserve the right to make technical modifications in the course of our product development. Our product information solely describes our goods and services and is in no way to be construed or interpreted as a quality or condition guarantee. The aforesaid shall not relieve the customer of its obligation to verify the suitability of our Products for the use or application intended by the purchaser. Customers are responsible for their products and applications. ENEDO assumes no liability from the use of its products outside of specifications. No license is granted to any intellectual property rights by this document.